



LEFROY BROOKS

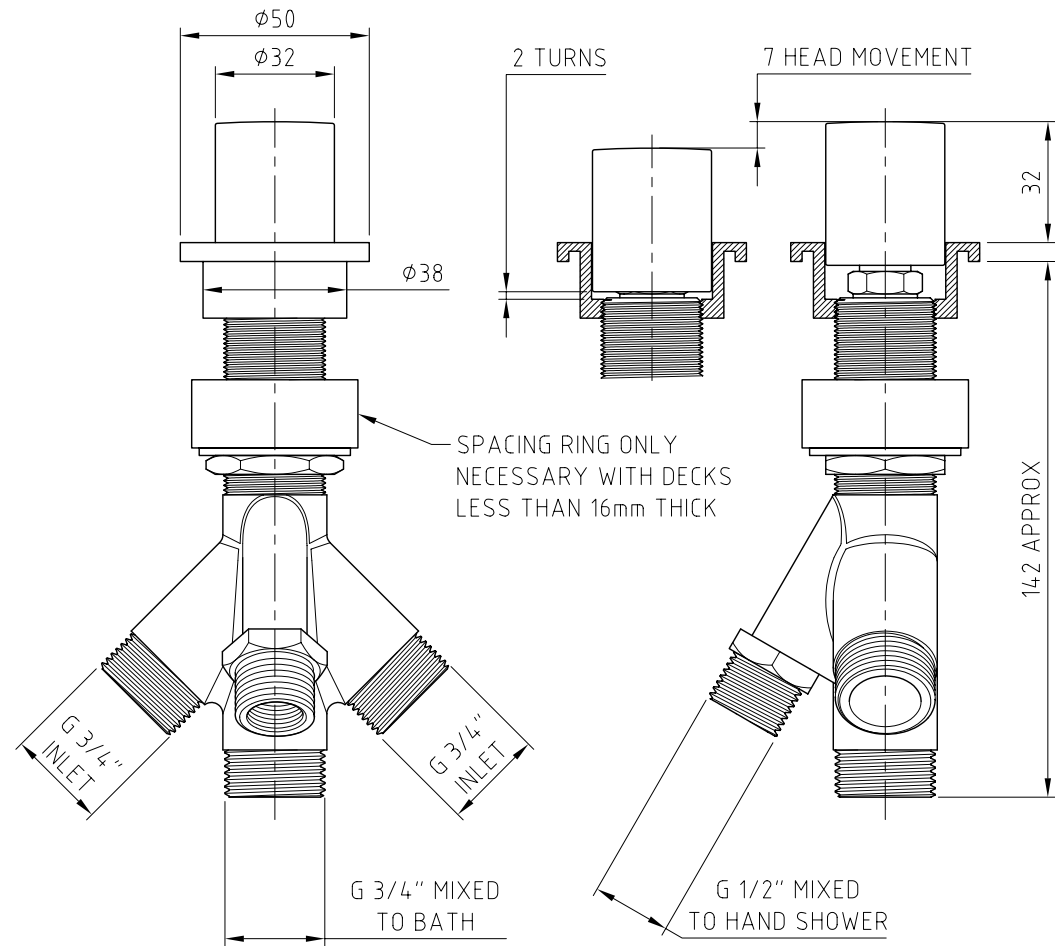
IBROC HOUSE ESSEX ROAD HODDESDON
HERTS EN11 0QS ENGLAND

XO4250

JO DIVERTER - DECK MOUNTED

DIMENSIONAL DATA SHEET

DATE 07 FEBRUARY 2002
NUMBER 30 069 4250 A



DECK HOLE DIAMETER - 38-41 (1.5"-1.625")

MAXIMUM DECK THICKNESS - 41 (1.625")

INSTALLATION

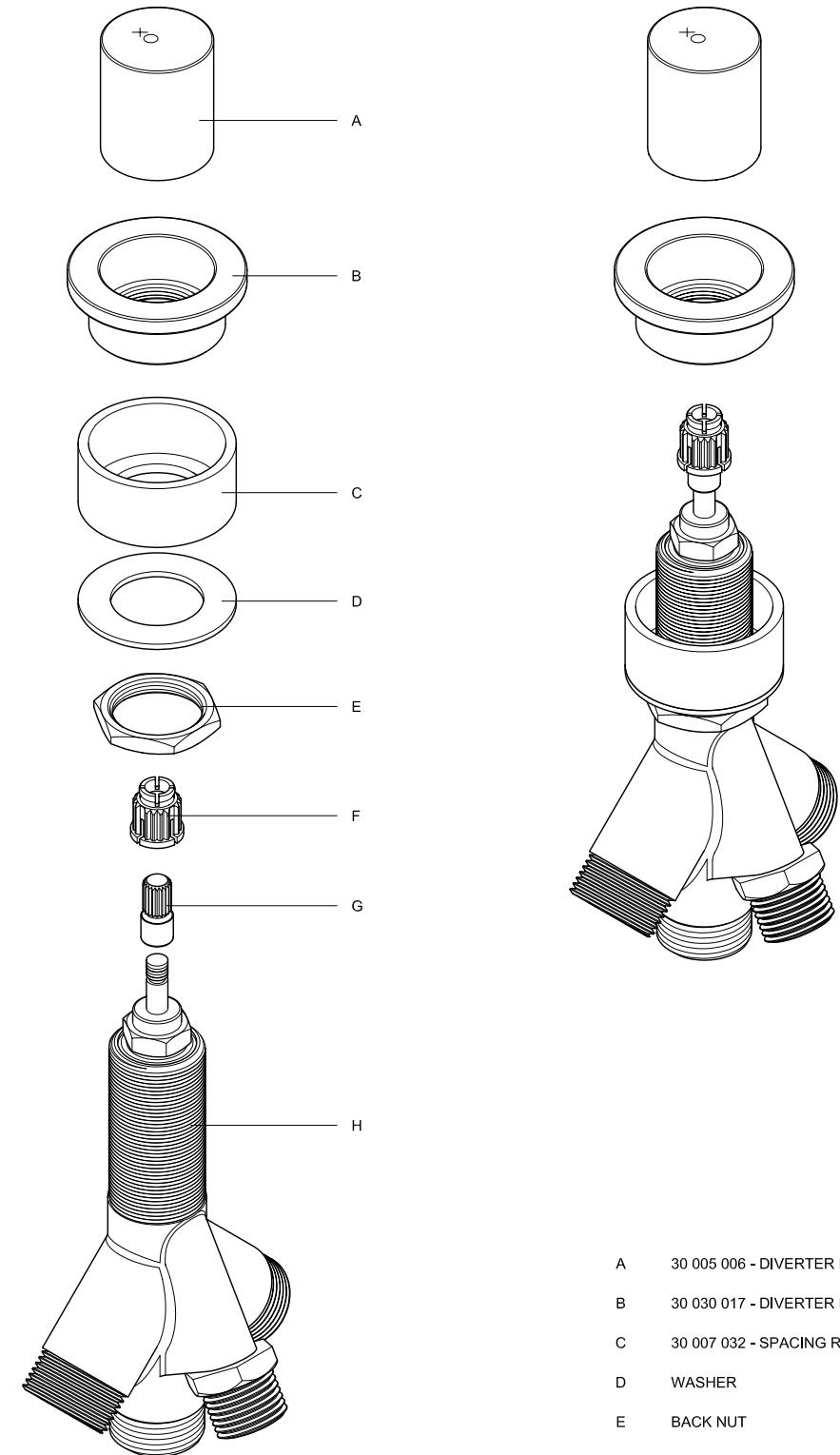
- 1 PULL OFF XO DIVERTER HEAD AND REMOVE DIVERTER FLANGE.
- 2 FIT DIVERTER, SPACING RING, WASHER AND BACKNUT UP THROUGH DECK HOLE. SCREW-ON THE DIVERTER FLANGE LOOSELY AND PRESS ON THE XO DIVERTER HEAD FULLY.
- 3 FULLY DEPRESS DIVERTER HEAD AND SCREW-UP FLANGE UNTIL IT TOUCHES THE HEAD. UNSCREW FLANGE TWO TURNS.
- 4 TIGHTEN-UP DIVERTER ASSEMBLY FROM BELOW AND CHECK FOR FREE MOVEMENT OF THE HEAD.
- 5 CONNECT WATER SUPPLY. EITHER INLET CAN TAKE HOT, COLD, OR MIXED SUPPLY. ONE INLET SHOULD BE PLUGGED WHEN USING A MIXED FEED.
- 6 CONNECT TO BATH FILLER AND HAND SHOWER. TEST DIVERTER OPERATION AND INTEGRITY OF CONNECTIONS.

DIMENSIONS IN MILLIMETRES

Whilst every effort is made to ensure the accuracy of these data they are subject to change without notice as part of the company's continuing product development process

XO4250

JO DIVERTER - DECK MOUNTED



- A 30 005 006 - DIVERTER HEAD
- B 30 030 017 - DIVERTER FLANGE + O-RING
- C 30 007 032 - SPACING RING
- D WASHER
- E BACK NUT
- F SPLINED NYLON BUSH
- G SPLINE ADAPTOR
- H DIVERTER

© Copyright 2002 Christo A. Lefroy Brooks All Rights Reserved