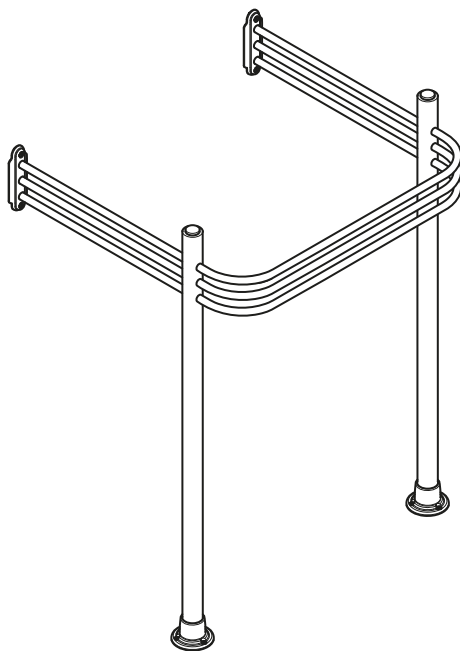


LB 4971
BELLE AIRE BASIN STAND (60cm)
INSTALLATION GUIDE



L E F R O Y B R O O K S

IMPORTANT INFORMATION

For use with LB 7803 Belle Aire basin

Professional installation

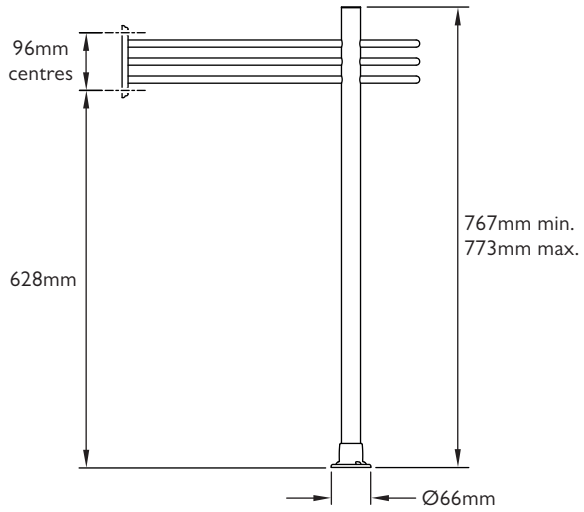
We recommend that our products are fitted by a fully qualified professional. A 'tester' should be used to ensure there are no hidden pipes or electric cables installed where the product is to be fitted.

Wall fixings

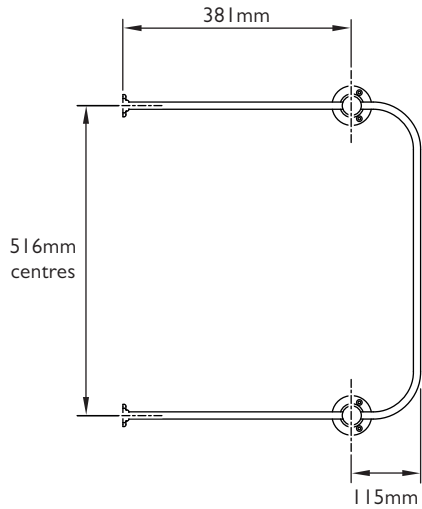
The screws and wall plugs provided are suitable for most brick walls. However, appropriate fixings should be used if the wall is plasterboard or soft building block.

DIMENSIONS

Side view

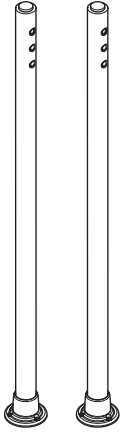


Plan view

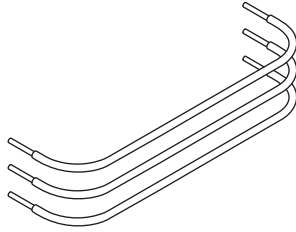


Not to scale

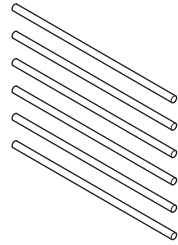
UNPACKING



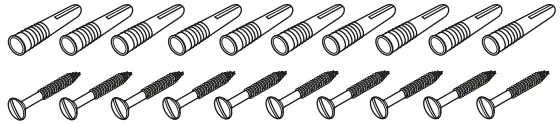
2 x Legs



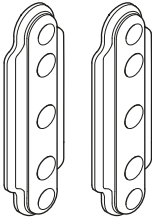
3 x Front rails



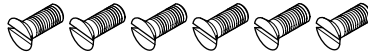
6 x Side rails



10 x Screws & wall plugs



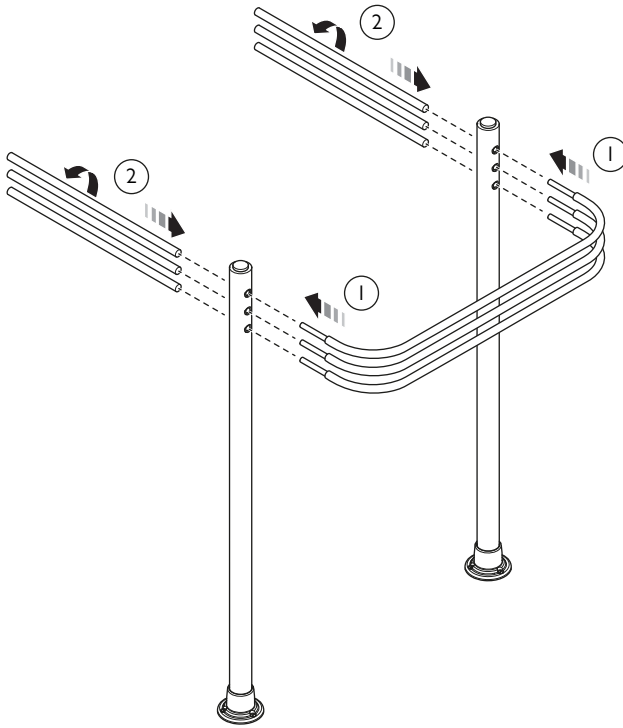
2 x Wall brackets



6 x 8mm brass fixing screws

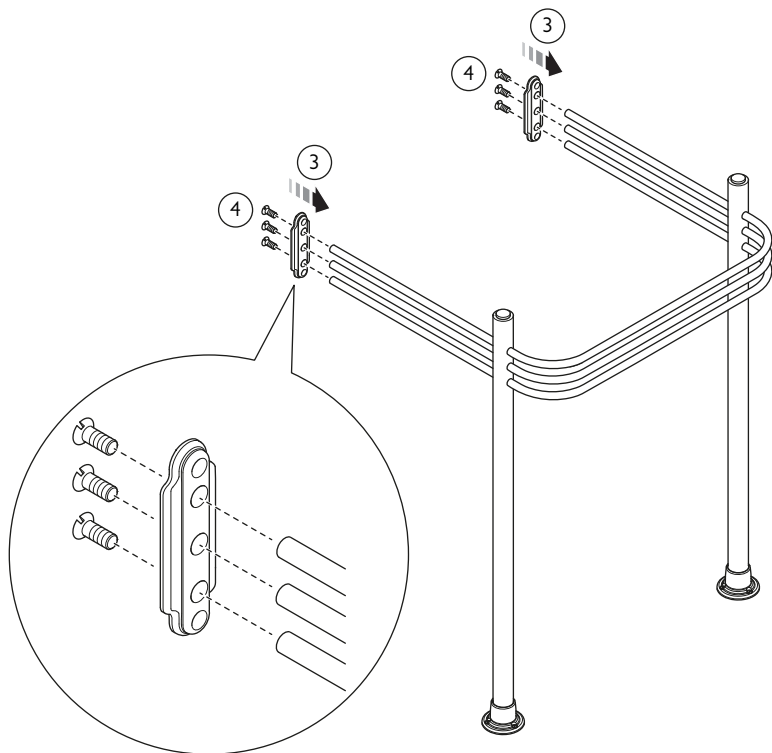
Not to scale

ASSEMBLY



1 With the legs spaced approximately 500mm apart, carefully insert the threaded ends of the front rails through the holes in the legs. Be careful not to scratch or damage the legs. Repeat this process for all three front rails.

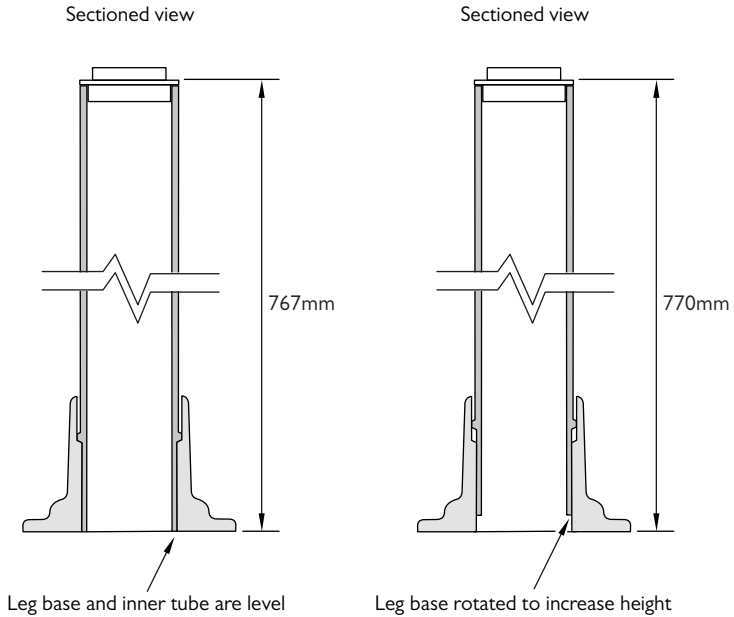
2 Screw the six side rails onto the threaded ends.



3 Locate one of the wall brackets on to the side rails. Secure this in place using three brass fixing screws. Repeat this on remaining wall bracket.

4 The basin stand is now fully assembled and ready for installation.

INSTALLATION



Leg adjustment

Before installation we recommend adjusting the length of the legs. This will ensure that you have +/- 3mm of adjustment when levelling the basin stand. To do this rotate each foot until the measurement from the base of the foot to the top of the metal section of the leg is 770mm. See above.

Installation

- 1 Position the basin stand against wall.
- 2 Use a spirit level to check the legs are vertical/horizontal.
- 3 Rotate leg base for height adjustment (please note that the legs cannot be cut shorter).
- 4 Mark the hole positions for the wall plates.
- 5 Drill the wall using a suitably sized drill bit.
- 6 Insert the wall plugs into the holes.
- 7 Secure the basin stand to wall.
- 8 Position the basin on the basin stand and secure basin to wall before fitting pipework connections.



CONTRACT ENQUIRIES

+44 (0)1992 708 316

info@lestroybrooks.co.uk

CUSTOMER SERVICE, SPARES & TECHNICAL ENQUIRIES

+44 (0)1902 390 894

LEFROYBROOKS.CO.UK

Whilst every effort is made to ensure the accuracy of these, they are subject to change without notice as part of the company's product development process. The use of trademarks, product design and artwork is subject to licence or agreement with LBIP Ltd. The design registrations, trademark registrations and copyrights are protected by law and the use or reproduction outside the terms of an agreement is prohibited. The right to modify designs and dimensions is reserved. LBIP Ltd is a member of ACID (Anti Copying in Design). E&OE