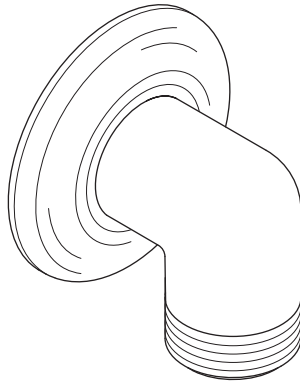


1749

# WALL HOSE OUTLET FOR HAND SHOWER

INSTALLATION GUIDE

---



---

LEFROY BROOKS

## IMPORTANT INFORMATION

### Professional installation

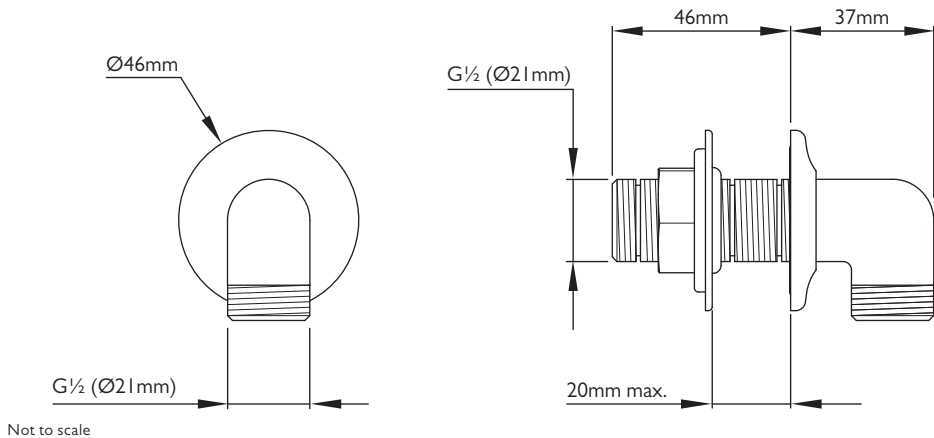
We recommend that our products are fitted by a fully qualified professional. A tester should be used to ensure there are no hidden pipes or electrical cables where the product is to be mounted.

### Water quality

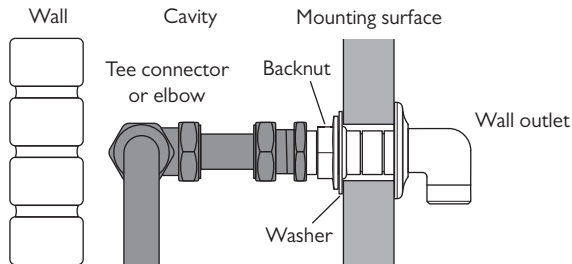
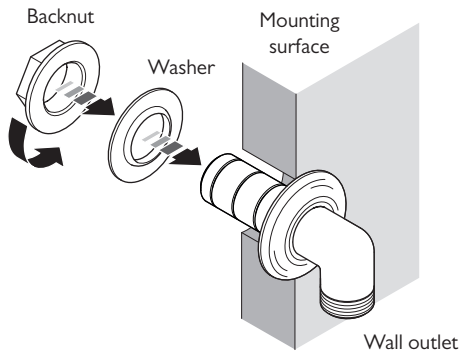
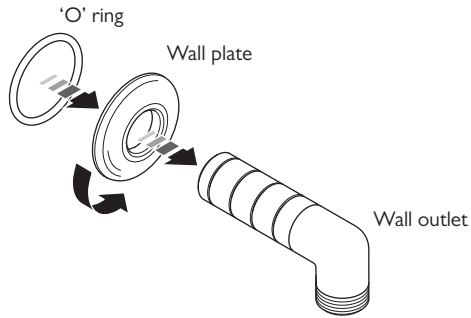
In hard water areas, a suitable water treatment system should be provided to prevent limescale deposits (calcium deposits) which may effect the long term appearance of the product. Exterior surfaces should be gently wiped with a dry soft cloth after use to minimise water stains and limescale deposits.

---

## DIMENSIONS



# INSTALLATION



- 1 Ensure that the 'O' ring is located in the recess at the rear of the wall plate.
- 2 Screw the wall plate onto the wall outlet.
- 3 Drill a suitable sized hole through the mounting surface.
- 4 Insert the wall outlet tail through the opening in the mounting surface.
- 5 Locate the washer onto the wall outlet tail.
- 6 Screw the backnut onto the wall outlet tail to secure.
- 7 Attach the water supply/supplies to the wall outlet tail.
- 8 Check for leaks.



CONTRACT ENQUIRIES

+44 (0)1992 708 316

[info@lefroybrooks.co.uk](mailto:info@lefroybrooks.co.uk)

CUSTOMER SERVICE, SPARES & TECHNICAL ENQUIRIES

+44 (0)1902 390 894

[technical@lefroybrooks.co.uk](mailto:technical@lefroybrooks.co.uk)

LEFROYBROOKS.CO.UK

---

Whilst every effort is made to ensure the accuracy of these, they are subject to change without notice as part of the company's product development process. The use of trademarks, product design and artwork is subject to licence or agreement with LBIP Ltd. The design registrations, trademark registrations and copyrights are protected by law and the use or reproduction outside the terms of an agreement is prohibited. The right to modify designs and dimensions is reserved. LBIP Ltd is a member of ACID (Anti Copying in Design). E&OE