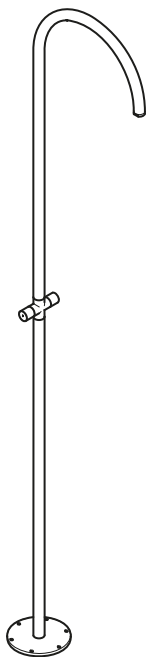


XO5500 / XO5502
FLOOR MOUNTED NIAGARA SHOWER
INSTALLATION GUIDE



L E F R O Y B R O O K S

IMPORTANT INFORMATION

Professional installation

We recommend that our products are fitted by a fully qualified professional plumber. They should be installed correctly and in accordance with all local water regulations and the system protected by non-return valves (not supplied). All products should be accessible for routine servicing.

Suits all systems

This Lefroy Brooks product is potentially suitable for every possible application, type of boiler and water supply pressure. However, if your supply pressure is below 1 bar it is advisable to fit a water pump. For systems with combination boilers, it is not advisable to fit pumps (refer to boiler manufacturer).

Supply connections

The hot water supply should be connected to the left port and the cold water supply to the right port as viewed from the front.

Supply temperature safety notice

To comply with local building regulations, current legislation, relevant standards and codes of practice a thermostatic mixing valve (TMV) should be fitted (not supplied) to the hot supply. This will restrict the temperature to a safe working maximum temperature. Maximum allowed temperatures vary subject to type of installation or specification of building.

Balancing flow

If there is a significant difference in water pressures between hot & cold supplies, we recommend an in-line flow suppressor/regulator (not supplied) be fitted. This should be fitted to whichever has the greater flow rate, in an accessible position close to the valve.

Water quality

In hard water areas, a suitable water treatment system should be provided to prevent limescale deposits (calcium deposits) which may effect the long term performance of the ceramic cartridges. Exterior surfaces should be gently wiped with a dry soft cloth after use to minimise water stains and limescale deposits.

Flushing system

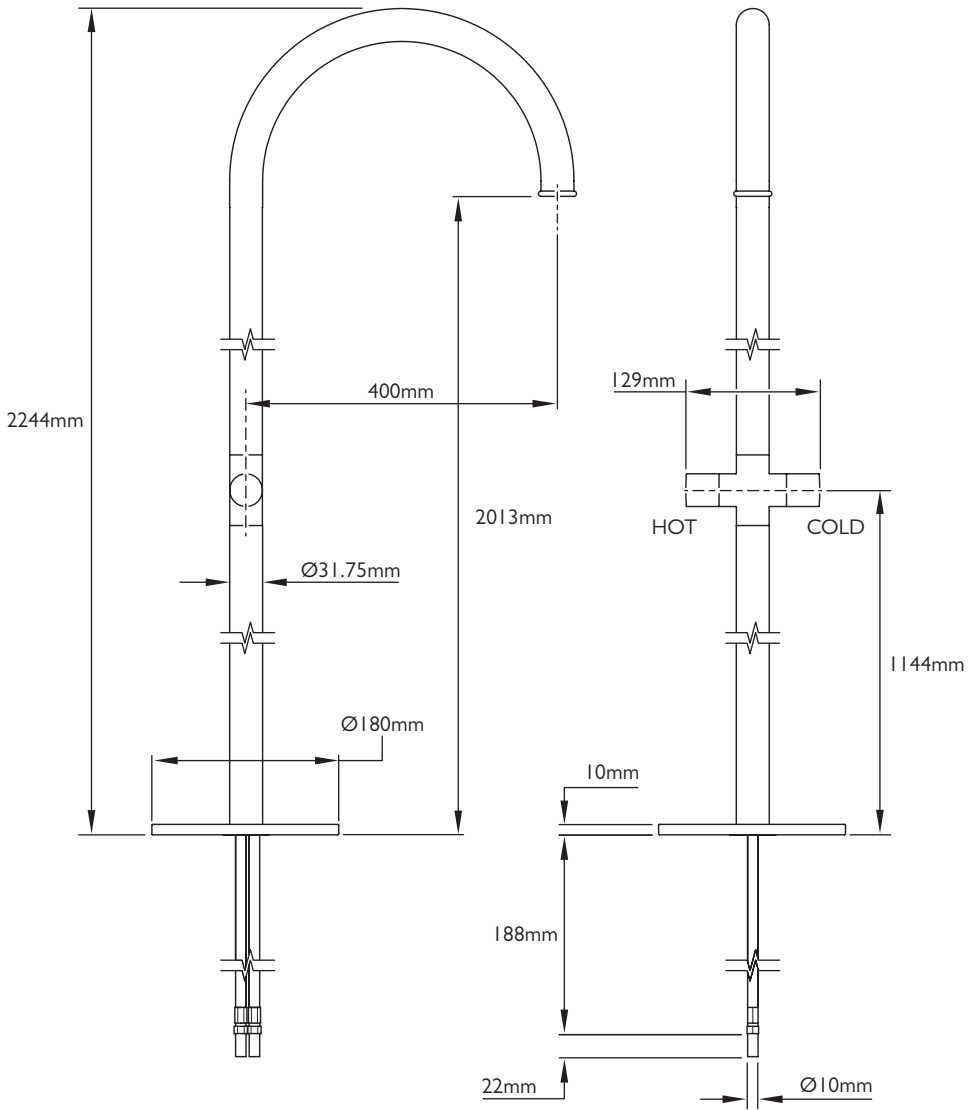
It is most important to flush out all pipework thoroughly before connecting the product. This is the single most common cause of ceramic cartridge failure.

Servicing

All serviceable parts are available to maintain your Lefroy Brooks product.

DIMENSIONS

Shown with XO5500. Dimensions applicable to XO5500 & XO5502.



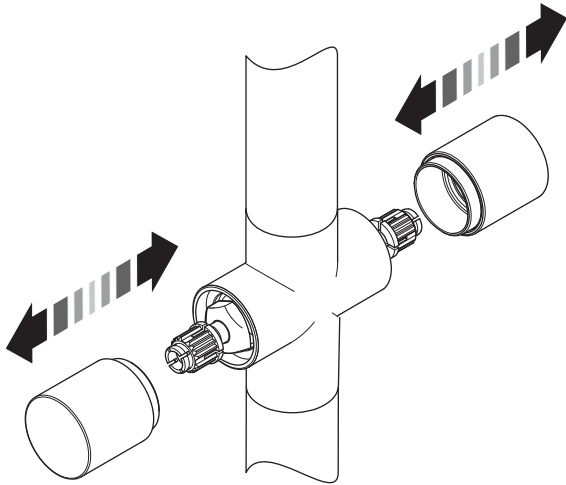
Not to scale

INSTALLATION

Important: The shower is not adjustable and does not swivel. Trying to rotate the shower will cause damage.

- 1 Position the shower ensuring that the angle and overhang are correct. This is very important as the shower is not adjustable.
 - 2 Mark and drill the mounting surface ready for suitable fixings.
 - 3 Secure the floor mounted shower to the mounting surface using suitable fixings. Do not try to align the shower once it is secured to the mounting surface.
 - 4 The flexible hoses can now be connected to the appropriate supplies using compression fittings.
-

SERVICING – HANDLE REMOVAL & REPLACEMENT



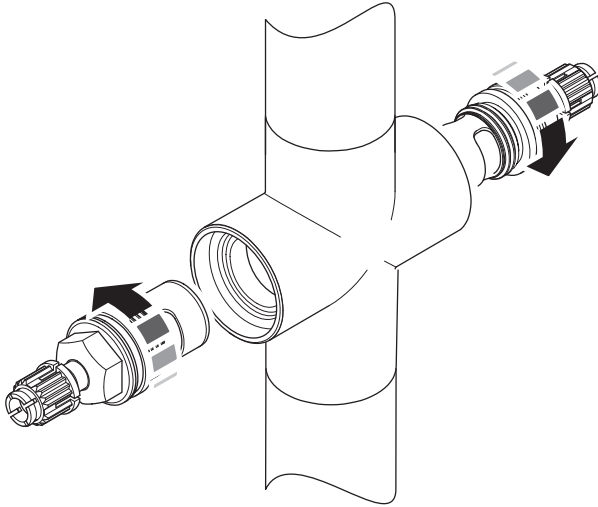
Handle removal

- 1 Support the shower then grasp the handle and pull firmly in a straight line clear of the body.
Note: XO5502 models are fitted with levers.
Do not pull on the levers as this can cause damage. Hold the body of the handle only.

Handle fitting

- 1 Locate the handle onto the spline a little, then rotate the handle to check alignment. Adjust as required.
- 2 Support the shower and push the handle firmly until it 'clicks' securely into position.

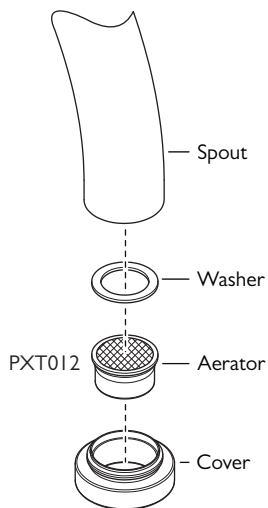
SERVICING – TO REPLACE CERAMIC CARTRIDGES



Pair of replacement cartridges - PXT005

- 1 Isolate the hot and cold water supplies and drain the system as required.
- 2 Remove the appropriate handle(s) as in the previous section.
- 3 Using a 17mm a/f spanner or socket unscrew the cartridge(s) and remove.
- 4 Check inside the shower body for any debris or limescale. Wipe clean as required.
- 5 Screw a new ceramic cartridge into the body and tighten using a 17mm spanner or socket.
- 6 Open the hot and cold supplies.
- 7 Check for leaks.
- 8 Replace the handle(s) as in previous section.
- 9 Check operation of the cartridge(s).

SERVICING – CLEANING OR REPLACING THE AERATOR



- 1 Unscrew the aerator cover to reveal the aerator.
- 2 Remove the aerator from the shower.
- 3 Check the shower for debris and limescale. Wipe clean as required.
- 4 Fit a new aerator and assemble in the reverse order.



CONTRACT ENQUIRIES

+44 (0)1992 708 316

info@lefroybrooks.co.uk

CUSTOMER SERVICE, SPARES & TECHNICAL ENQUIRIES

+44 (0)1902 390 894

technical@lefroybrooks.co.uk

LEFROYBROOKS.CO.UK

Whilst every effort is made to ensure the accuracy of these, they are subject to change without notice as part of the company's product development process. The use of trademarks, product design and artwork is subject to licence or agreement with LBIP Ltd. The design registrations, trademark registrations and copyrights are protected by law and the use or reproduction outside the terms of an agreement is prohibited. The right to modify designs and dimensions is reserved. LBIP Ltd is a member of ACID (Anti Copying in Design). E&OE