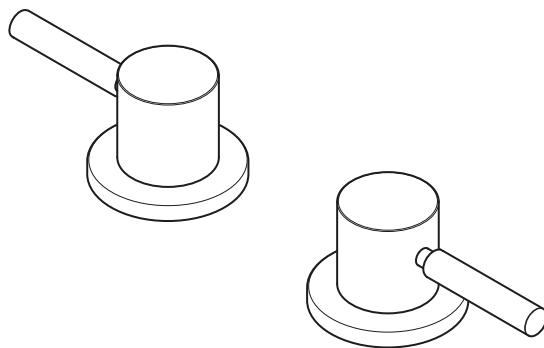


XO4221 / XO4223
DECK MOUNTED FLOW CONTROLS
INSTALLATION GUIDE



LEFROY BROOKS

IMPORTANT INFORMATION

Professional installation

We recommend that our products are fitted by a fully qualified professional plumber. They should be installed correctly and in accordance with all local water regulations and the system protected by non-return valves (not supplied). All products should be accessible for routine servicing.

Suits all systems

This Lefroy Brooks product is potentially suitable for every possible application, type of boiler and water supply pressure. However, if your supply pressure is below 1 bar it is advisable to fit a water pump. For systems with combination boilers, it is not advisable to fit pumps (refer to boiler manufacturer).

Supply connections

Lefroy Brooks do not supply any pipework or connectors for this product as it can be installed in any configuration, subject to individual installation designs or requirements.

The hot and cold water valves are the same for basin & bath installations, connections should be made using G $\frac{1}{2}$ tap connectors (not compression fittings).

Flushing system

It is most important to flush out all pipework thoroughly before connecting the product. This is the single most common cause of ceramic cartridge failure.

Supply temperature safety notice

To comply with local building regulations, current legislation, relevant standards and codes of practice a thermostatic mixing valve (TMV) should be fitted (not supplied) to the hot supply. This will restrict the temperature to a safe working maximum temperature. Maximum allowed temperatures vary subject to type of installation or specification of building.

Balancing flow

If there is a significant difference in water pressures between hot & cold supplies, we recommend an in-line flow suppressor/regulator (not supplied) be fitted. This should be fitted to whichever has the greater flow rate, in an accessible position close to the valve.

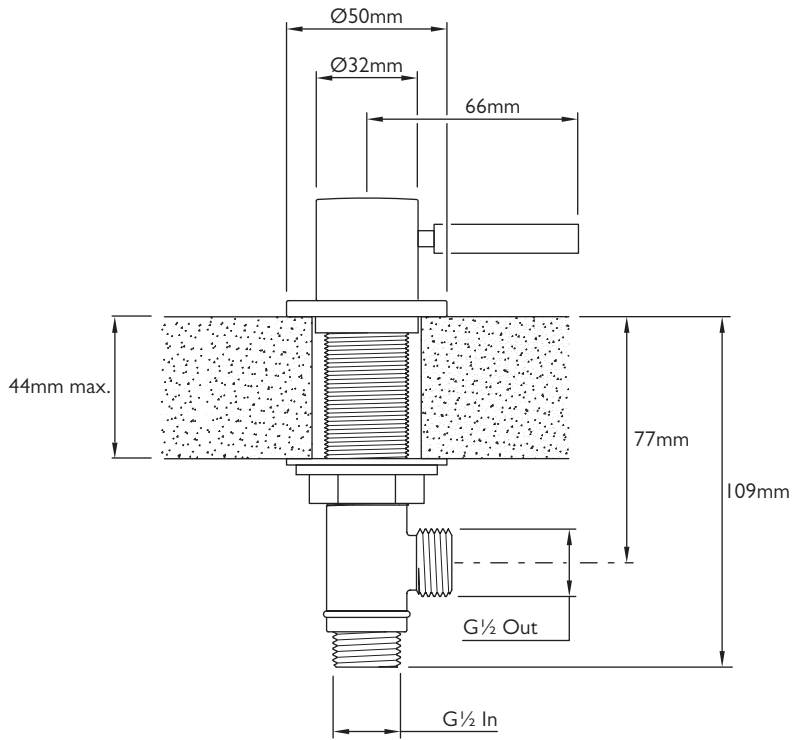
Water quality

In hard water areas, a suitable water treatment system should be provided to prevent limescale deposits (calcium deposits) which may effect the long term performance of the ceramic cartridges. Exterior surfaces should be gently wiped with a dry soft cloth after use to minimise water stains and limescale deposits.

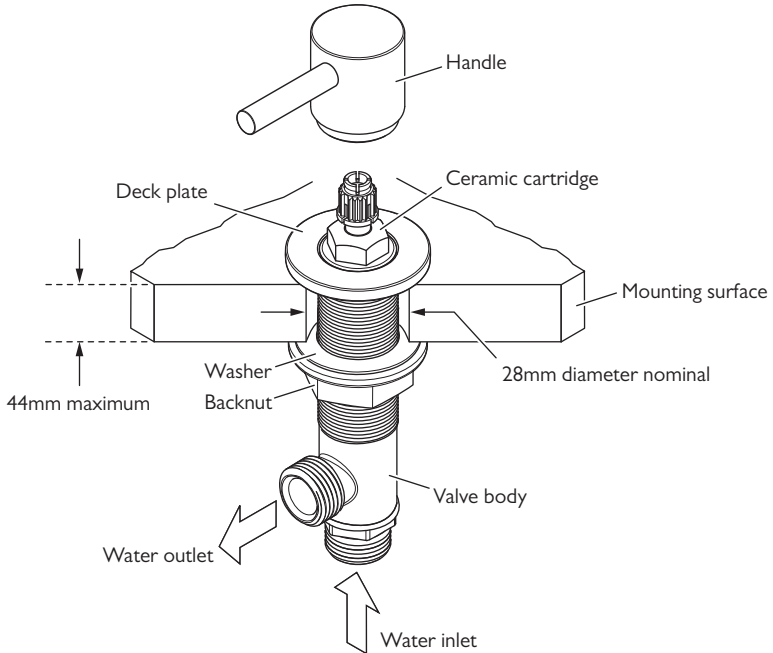
Servicing

All serviceable parts are available to maintain your Lefroy Brooks product.

DIMENSIONS

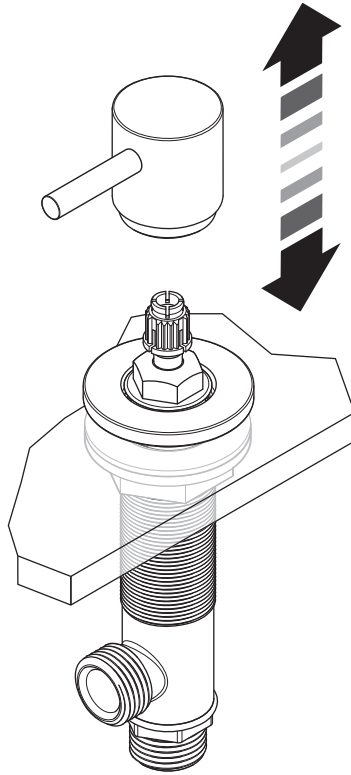


INSTALLATION GUIDELINES



- 1 Where necessary drill $\text{Ø}28\text{--}30\text{mm}$ holes in the mounting surface.
- 2 Grasp the handle and pull firmly in a straight line clear of the valve.
- 3 Unscrew and remove the deck plate. Do not remove the backnut and washer.
- 4 From the underside of the mounting surface, locate the flow valve through the hole.
- 5 Ensure that the 'O' ring is located into the rear of the deck plate. Screw the deck plate onto the top of the flow valve. The 'O' ring should be in contact with the mounting surface.
- 6 Tighten the backnut to secure the flow valve in place.
- 7 Fit the handle by gently aligning it on the spindle then pushing to locate.
- 8 Connections to the flow valve should be $\text{G}\frac{1}{2}$ tap connections. Do not use a compression fittings.
- 9 There are no regulations specifying the positions of the valves. They can be installed to customer requirements.
- 10 Turn on the water supplies and check for leaks.
- 11 Check the operation of the ceramic cartridge.

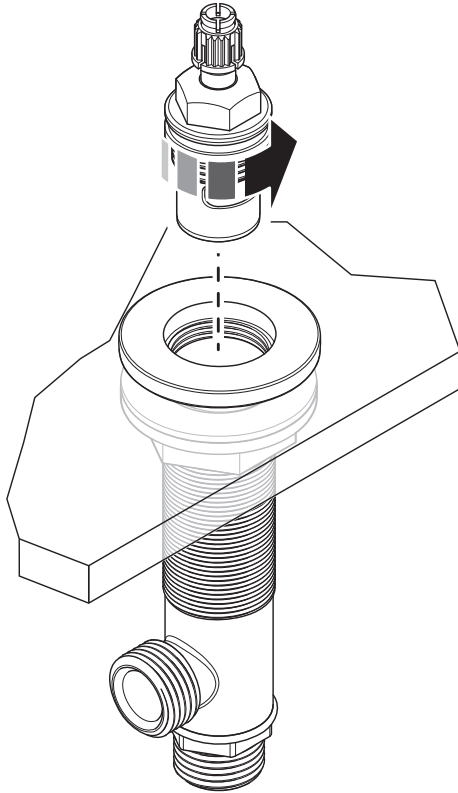
SERVICING – HANDLE REMOVAL & REPLACEMENT



Pair of replacement plastic spline adapters – PXT006

- 1 To remove, grasp the handle and pull firmly in a straight line clear of the valve.
- 2 To replace, gently align the handle on the spindle then push to locate.

SERVICING – CERAMIC CARTRIDGE REPLACEMENT



Pair of replacement ¼ turn ceramic cartridges – PXT004

- 1 Isolate the water supply and drain the system as required.
- 2 Remove the handle as in previous section.
- 3 Using a 17mm a/f spanner or socket unscrew the cartridge and remove.
- 4 Check inside the valve body for any debris or limescale. Wipe clean as required.
- 5 Screw a new ceramic cartridge into the valve body (clockwise) and tighten using a 17mm spanner or socket.
- 6 Open the water supply.
- 7 Check for leaks.
- 8 Replace the lever as in previous section.
- 9 Check operation of the cartridge.



CONTRACT ENQUIRIES

+44 (0)1992 708 316

info@lestroybrooks.co.uk

CUSTOMER SERVICE, SPARES & TECHNICAL ENQUIRIES

+44 (0)1902 390 894

technical@lestroybrooks.co.uk

LEFROYBROOKS.CO.UK

Whilst every effort is made to ensure the accuracy of these, they are subject to change without notice as part of the company's product development process. The use of trademarks, product design and artwork is subject to licence or agreement with LBIP Ltd. The design registrations, trademark registrations and copyrights are protected by law and the use or reproduction outside the terms of an agreement is prohibited. The right to modify designs and dimensions is reserved. LBIP Ltd is a member of ACID (Anti Copying in Design). E&OE