



**LEFROY BROOKS**

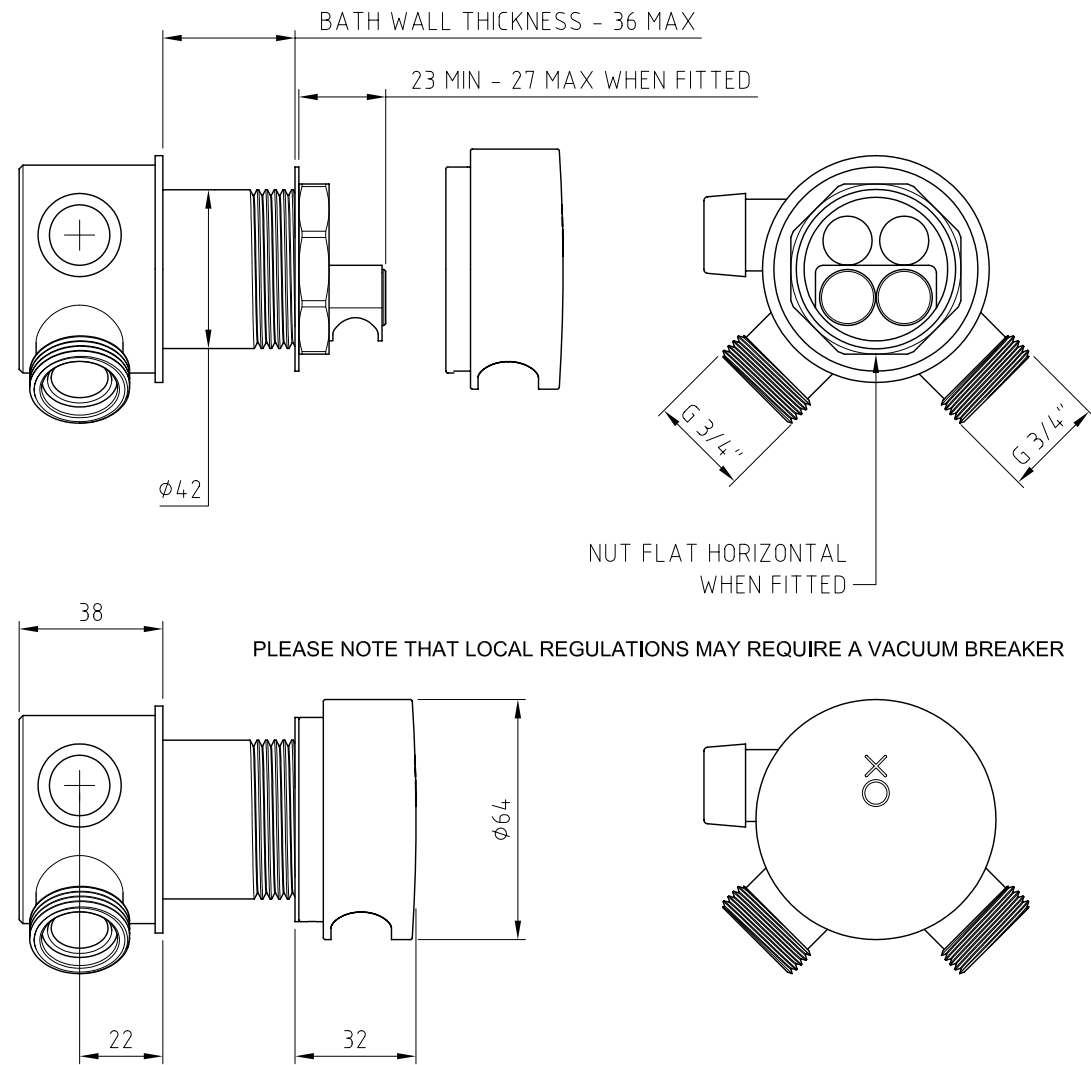
IBROC HOUSE ESSEX ROAD HODDESDON  
HERTS EN11 0QS ENGLAND

**XO4199**

OVERFLOW/BATH FILL

**DIMENSIONAL DATA SHEET**

DATE 30 NOVEMBER 2001  
NUMBER 30 069 4199 C



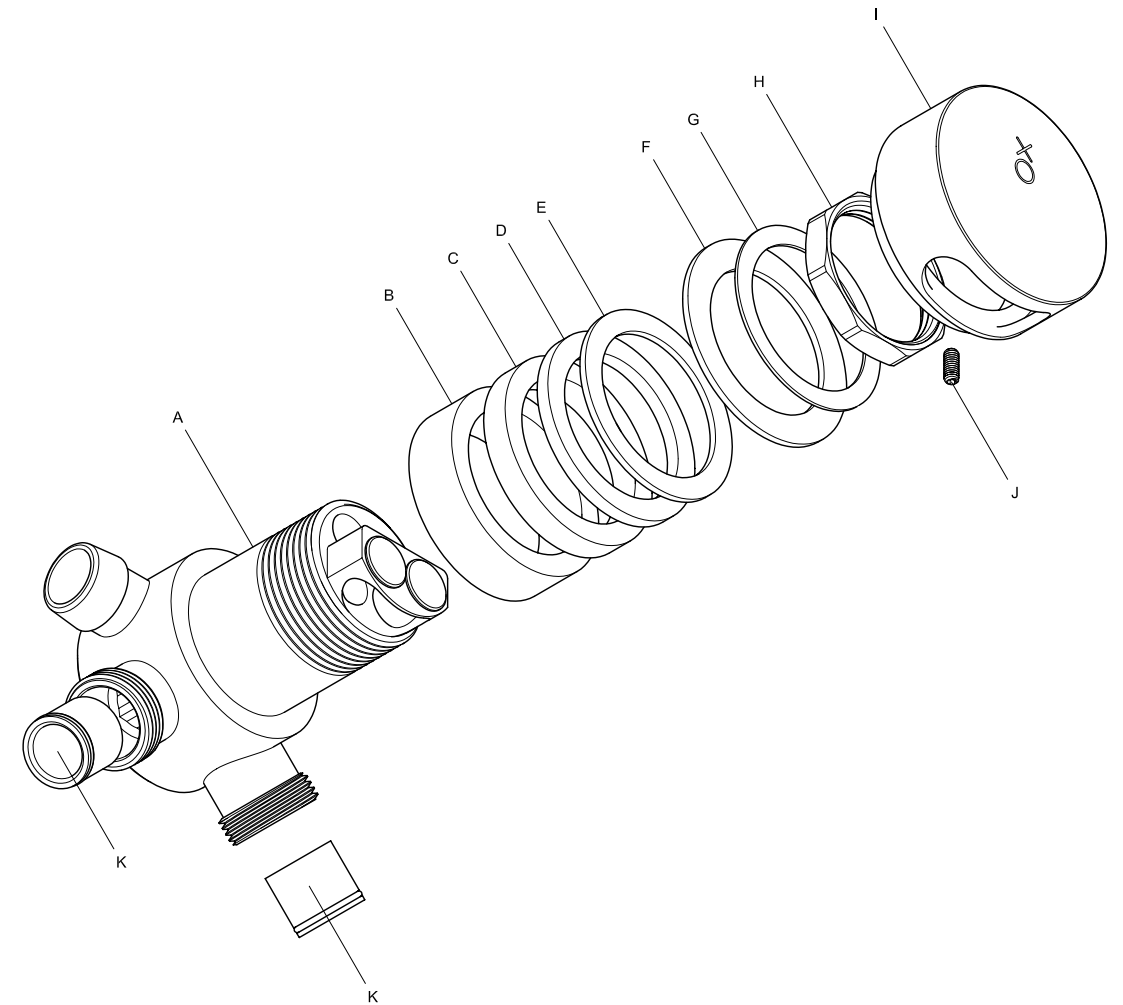
SPACER	THICKNESS NEEDED FOR ADDITIONAL SPACERS														
	2	4	6	8	10	12	14	16	18	20	22	24	26	28	30
2 mm															
4 mm															
8 mm															
16 mm															

DIMENSIONS IN MILLIMETRES

Whilst every effort is made to ensure the accuracy of these data they are subject to change without notice as part of the company's continuing product development process

**XO4199**

OVERFLOW/BATH FILL



- A 30 535 001 - BODY ASSEMBLY
- B 30 048 025 - 16 mm ACETAL SPACER
- C 30 048 024 - 8 mm ACETAL SPACER
- D 30 048 023 - 4 mm ACETAL SPACER
- E 30 048 022 - 2 mm ACETAL SPACER
- F 30 048 013 - GASKET
- G 30 048 012 - WASHER
- H 30 050 015 - NUT
- I 30 030 200 - COVER
- J ISO M4 X 4 SOCKET HEAD SET SCREW
- K CHECK VALVE - Ø20 X 18