



LEFROY BROOKS

1 BROC HOUSE ESSEX ROAD
HODDESDON HERTS EN11 0QS UK
T: +44 (0)1992 708 316 F: +44 (0)1992 708 317

MB1247

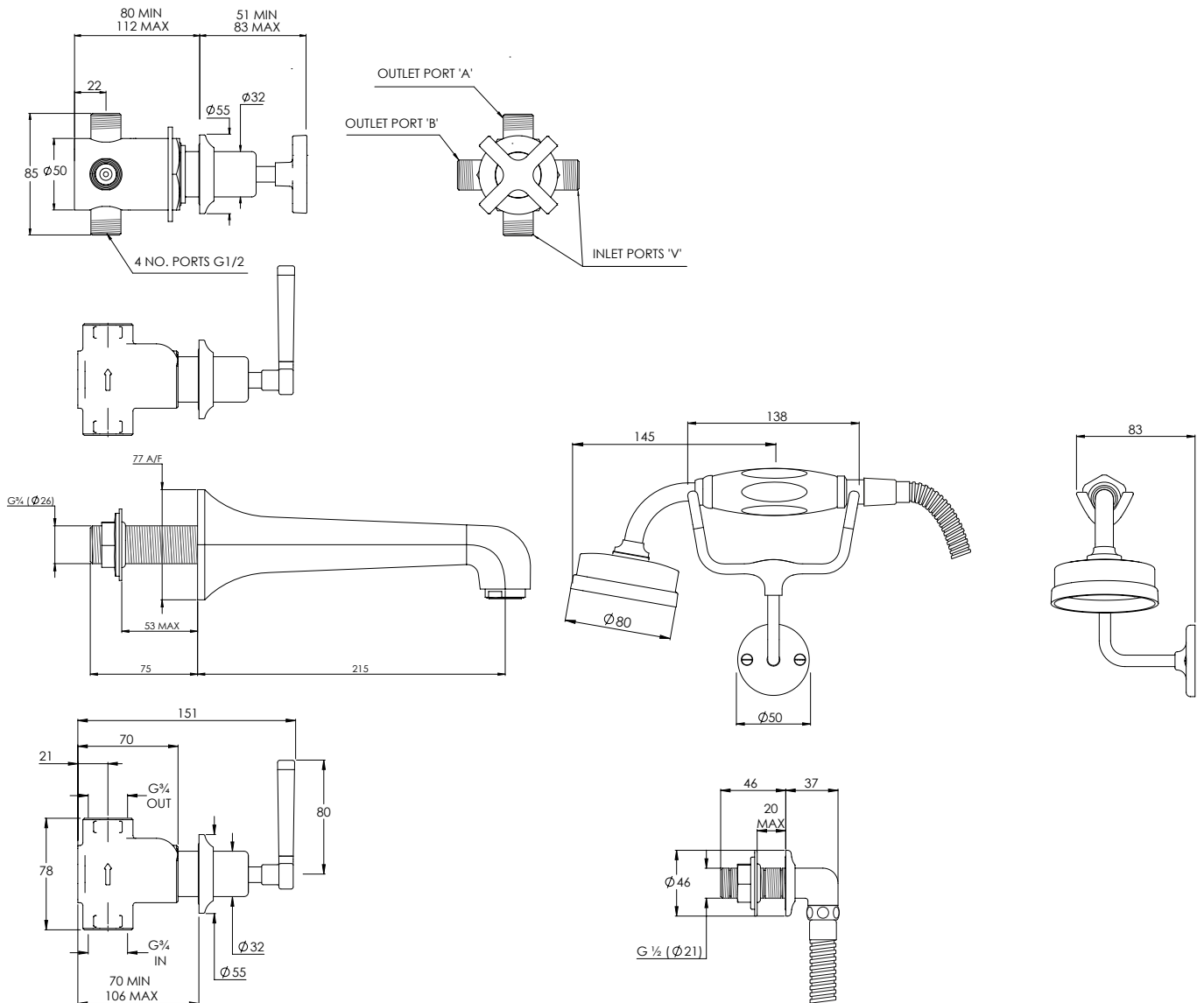
MACKINTOSH WALL MOUNTED FIVE HOLE BATH FILLER
WITH BLACK LEVERS, DIVERTER & EASY CLEAN HAND
SHOWER

DIMENSIONAL DATA SHEET

DATE: 15/03/2024

REVISION: A

COPYRIGHT © LBIP LTD. ALL RIGHTS RESERVED



DIMENSIONS IN MILLIMETRES