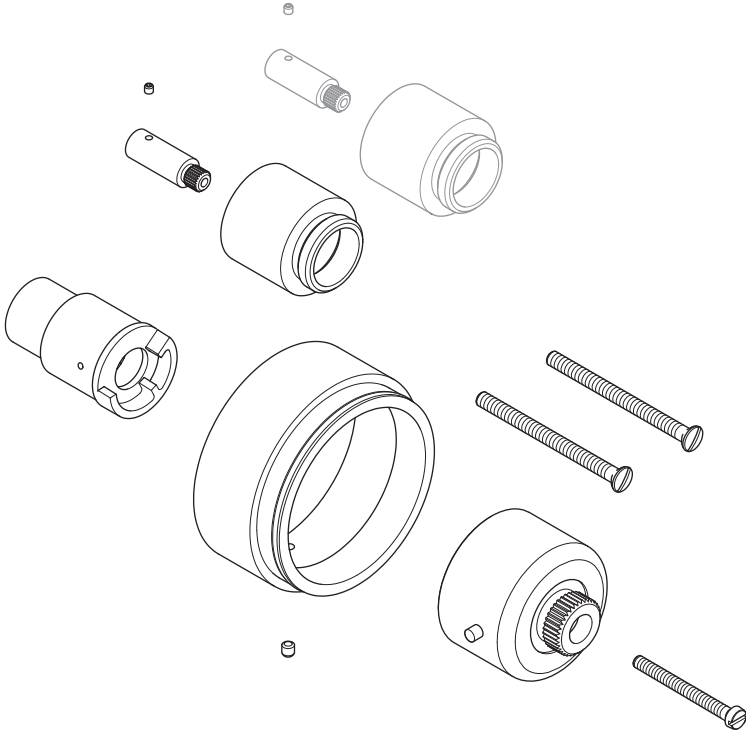


GD 9901 / GD 9902

25mm EXTENSION KIT FOR 8706, 8736 & 8737 MODELS
(BL, DP & GD VERSIONS)

INSTALLATION GUIDE



LEFROY BROOKS

SUITABILITY

This extension kit is for use with Black lever (BL), Fifth (DP) and Godolphin (GD) models.

IMPORTANT INFORMATION

Professional installation

We recommend that our products are fitted by a fully qualified professional plumber. They should be installed correctly and in accordance with all local water regulations. All products and connections should be accessible for routine servicing.

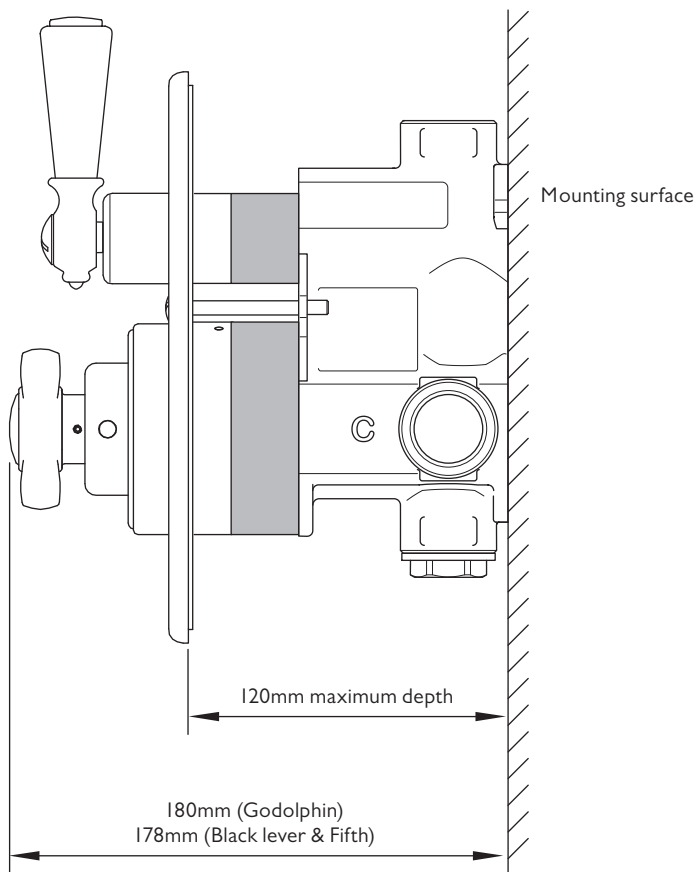
About this kit

The standard concealed shower valve is designed to allow up to a 23mm wall thickness, this extension kit will enable you to increase the wall thickness to a maximum of 48mm.

If you have a wall cavity deeper than 72mm to conceal the valve, we recommend the valve is secured to a wooden baton on the mounting wall to reduce the cavity depth (or fit this extension kit to extend the shower valve by 25mm).

DIMENSIONS OF 8706 MODEL WITH EXTENSION KIT FITTED

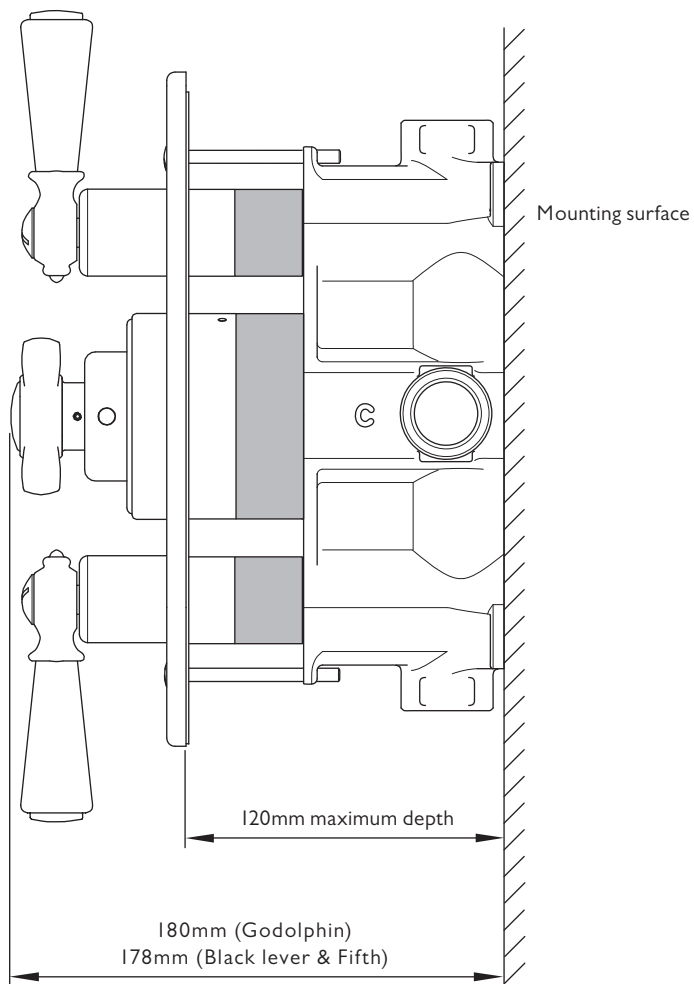
Extension kit indicated by shaded area. Shown with Godolphin (GD) model.



Not to scale

DIMENSIONS OF 8736 & 8737 MODEL WITH EXTENSION KIT FITTED

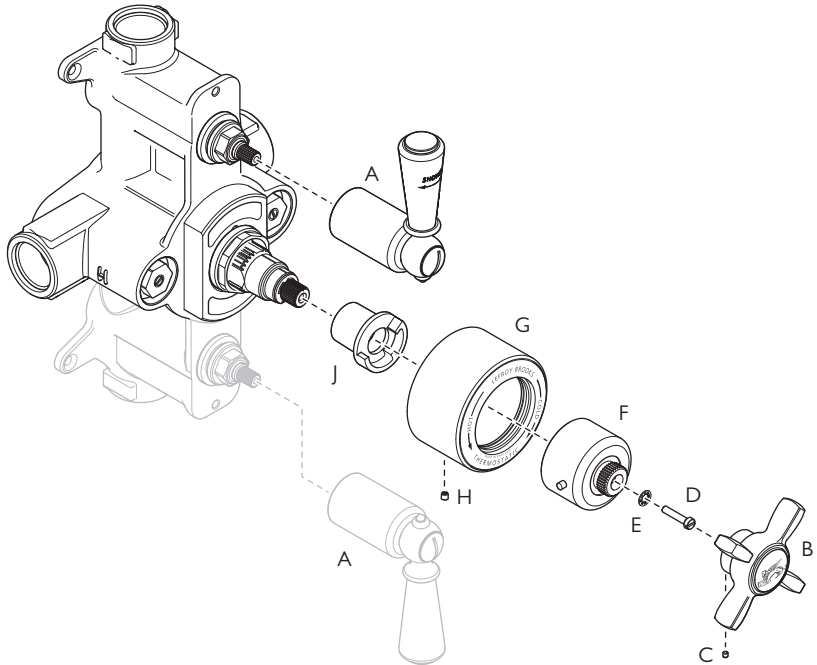
Extension kit indicated by shaded area. Shown with Godolphin (GD) model.
Read as side view on 8736 models & plan view on 8737 models.



Not to scale

PREPARATION OF GODOLPHIN (GD) & BLACK LEVER (BL) 8706 & 8736 MODELS

Exploded view of standard concealed valve. Shown with Godolphin (GD) model.

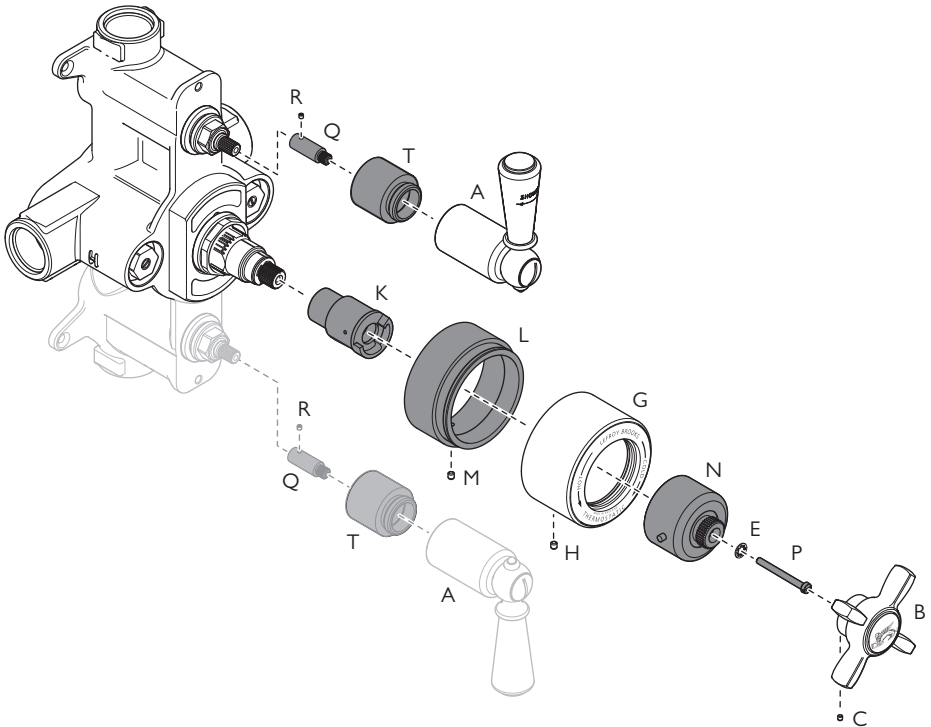


Lighter section only relevant on 8736 models.

- 1 Unscrew and remove the lever assembly/ assemblies (A). Wearing a rubber glove such as those used for washing up will improve grip.
- 2 Unscrew and remove the face plate securing screws. Remove the face plate (not shown).
- 3 Remove the thermostatic control cross handle (B) by unscrewing set screw (C) using a 2mm hexagonal key.
- 4 Unscrew and remove screw (D) and washer (E).
- 5 Pull the temperature override (F) off the cartridge spline.
- 6 Remove the thermostatic cartridge cover (G) by unscrewing set screw (H) using a 1.5mm hexagonal key.
- 7 Remove the temperature stop (J).

INSTALLATION OF GODOLPHIN (GD) & BLACK LEVER (BL) 8706 & 8736 EXTENSION KIT

Exploded view of extended concealed valve. Shown with Godolphin (GD) model.

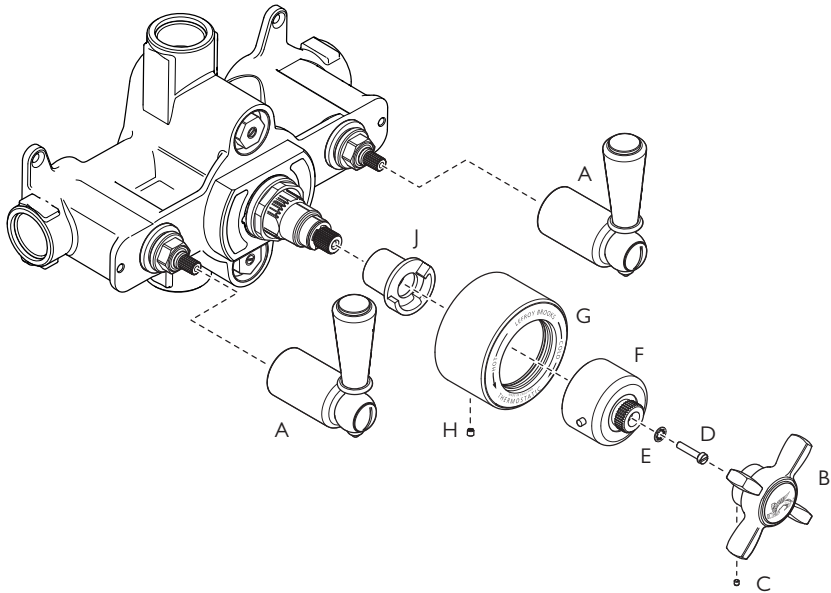


Lighter sections only relevant on 8736 models. Extension kit components are shaded.

- 1 Confirm the 38°C temperature setting (refer to setting instructions in valve installation guide).
- 2 Locate the extended temperature stop (K).
- 3 Assemble the thermostatic cartridge cover (G) to the cartridge cover extension (L) using set screw (H) and a 1.5mm hexagonal key. Locate and secure the assembly to the valve body using set screw (M) and a 1.5mm hexagonal key.
- 4 Locate the extended override cover (N) (refer to setting instructions in valve installation guide).
- 5 Secure the override cover using extended screw (P) and washer (E).
- 6 Locate the spindle extension(s) (Q) to the flow cartridge(s) and secure with set screw(s) (R) and a 1.5mm hexagonal key.
- 7 Screw the extension cover(s) (T) into the lever assembly/assemblies (A). Screw this/these assembly/assemblies on to the flow cartridge(s).
- 8 Fit the face plate and secure using the face plate screws supplied in this kit.
- 9 Secure cross handle (B) using set screw (C) and a 2mm hexagonal key.

PREPARATION OF GODOLPHIN (GD) & BLACK LEVER (BL) 8737 MODEL

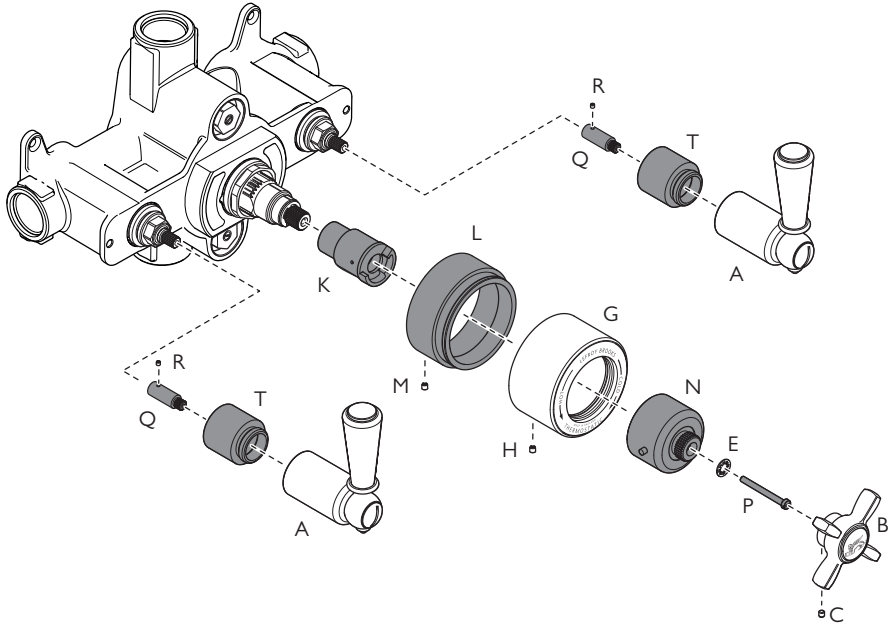
Exploded view of standard concealed valve. Shown with Godolphin (GD) model.



- 1 Unscrew and remove the lever assemblies (A). Wearing a rubber glove such as those used for washing up will improve grip.
- 2 Unscrew and remove the face plate securing screws. Remove the face plate (not shown).
- 3 Remove the thermostatic control cross handle (B) by unscrewing set screw (C) using a 2mm hexagonal key.
- 4 Unscrew and remove screw (D) and washer (E).
- 5 Pull the temperature override (F) off the cartridge spline.
- 6 Remove the thermostatic cartridge cover (G) by unscrewing set screw (H) using a 1.5mm hexagonal key.
- 7 Remove the temperature stop (J).

INSTALLATION OF GODOLPHIN (GD) & BLACK LEVER (BL) 8737 EXTENSION KIT

Exploded view of extended concealed valve. Shown with Godolphin (GD) model.

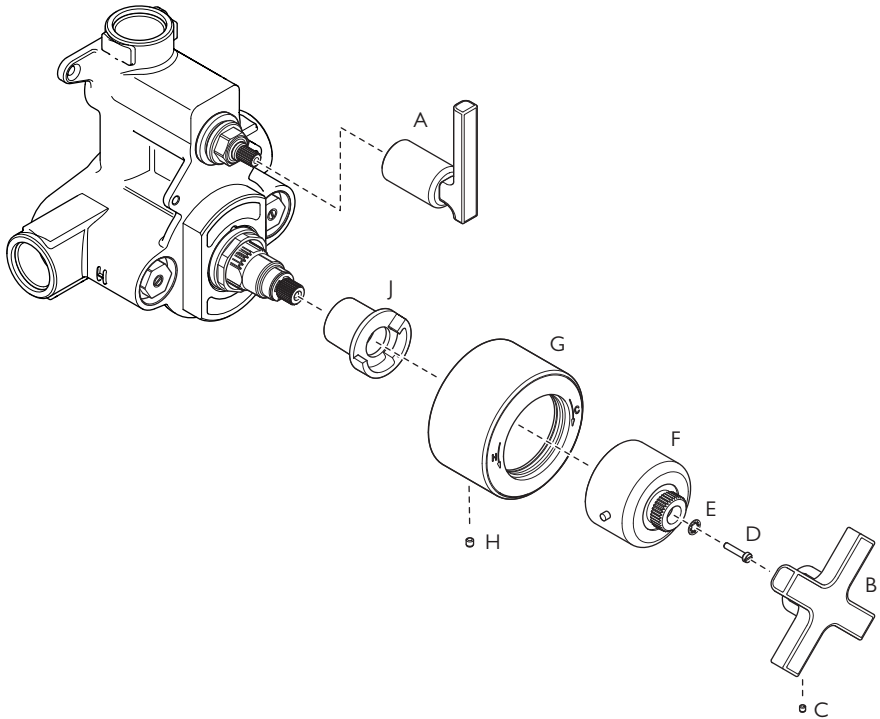


Extension kit components are shaded.

- 1 Confirm the 38°C temperature setting (refer to setting instructions in valve installation guide).
- 2 Locate the extended temperature stop (K).
- 3 Assemble the thermostatic cartridge cover (G) to the cartridge cover extension (L) using set screw (H) and a 1.5mm hexagonal key. Locate and secure the assembly to the valve body using set screw (M) and a 1.5mm hexagonal key.
- 4 Locate the extended override cover (N) (refer to setting instructions in valve installation guide).
- 5 Secure the override cover using extended screw (P) and washer (E).
- 6 Locate the spindle extensions (Q) to the flow cartridges and secure with set screws (R) and a 1.5mm hexagonal key.
- 7 Screw the extension covers (T) into the lever assemblies (A). Screw these assemblies on to the flow cartridges.
- 8 Fit the face plate and secure using the face plate screws supplied in this kit.
- 9 Secure cross handle (B) using set screw (C) and a 2mm hexagonal key.

PREPARATION OF FIFTH (DP) 8706 MODELS

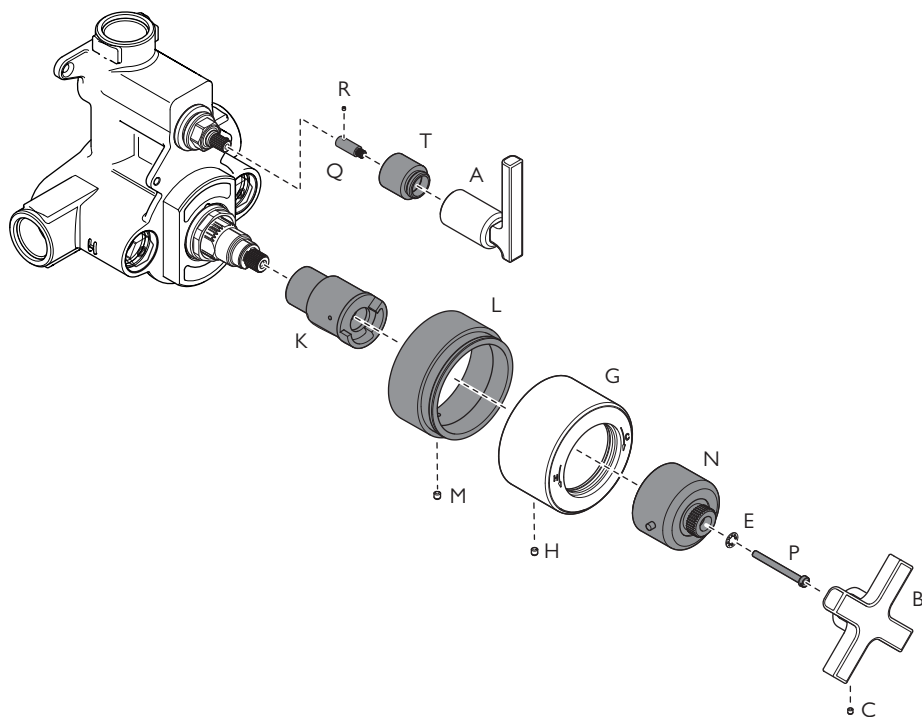
Exploded view of standard concealed Fifth (DP) model.



- 1 Unscrew and remove the lever assembly (A). Wearing a rubber glove such as those used for washing up will improve grip.
- 2 Remove the thermostatic control cross handle (B) by unscrewing set screw (C) using a 2mm hexagonal key.
- 3 Unscrew and remove the face plate securing screws. Remove the face plate (not shown).
- 4 Unscrew and remove screw (D) and washer (E).
- 5 Pull the temperature override (F) off the cartridge spline.
- 6 Remove the thermostatic cartridge cover (G) by unscrewing set screw (H) using a 1.5mm hexagonal key.
- 7 Remove the temperature stop (J).

INSTALLATION OF FIFTH (DP) 8706 EXTENSION KIT

Exploded view of extended concealed Fifth (DP) model.



Extension kit components are shaded.

- 1 Confirm the 38°C temperature setting (refer to setting instructions in valve installation guide).
- 2 Locate the extended temperature stop (K).
- 3 Assemble the thermostatic cartridge cover (G) to the cartridge cover extension (L) using set screw (H) and a 1.5mm hexagonal key. Locate and secure the assembly to the valve body using set screw (M) and a 1.5mm hexagonal key.
- 4 Locate the extended override cover (N) (refer to setting instructions in valve installation guide).
- 5 Secure the override cover using extended screw (P) and washer (E).
- 6 Locate the spindle extension (Q) to the flow cartridge and secure with set screw (R) and a 1.5mm hexagonal key.
- 7 Fit the face plate and secure using the face plate screws supplied in this kit.
- 8 Screw the extension covers (T) into the lever assembly (A). Screw this assembly on to the flow cartridge.
- 9 Secure cross handle (B) using set screw (C) and a 2mm hexagonal key.



CONTRACT ENQUIRIES

+44 (0)1992 708 316

info@lefroybrooks.co.uk

CUSTOMER SERVICE, SPARES & TECHNICAL ENQUIRIES

+44 (0)1902 390 894

technical@lefroybrooks.co.uk

LEFROYBROOKS.CO.UK

Whilst every effort is made to ensure the accuracy of these, they are subject to change without notice as part of the company's product development process. The use of trademarks, product design and artwork is subject to licence or agreement with LBIP Ltd. The design registrations, trademark registrations and copyrights are protected by law and the use or reproduction outside the terms of an agreement is prohibited. The right to modify designs and dimensions is reserved. LBIP Ltd is a member of ACID (Anti Copying in Design). E&OE