



LEFROY BROOKS

IBROC HOUSE ESSEX ROAD
HODDESDON HERTS EN11 0QS UK
T: +44 (0)1992 708 316 F: +44 (0)1992 708 317

FB1247

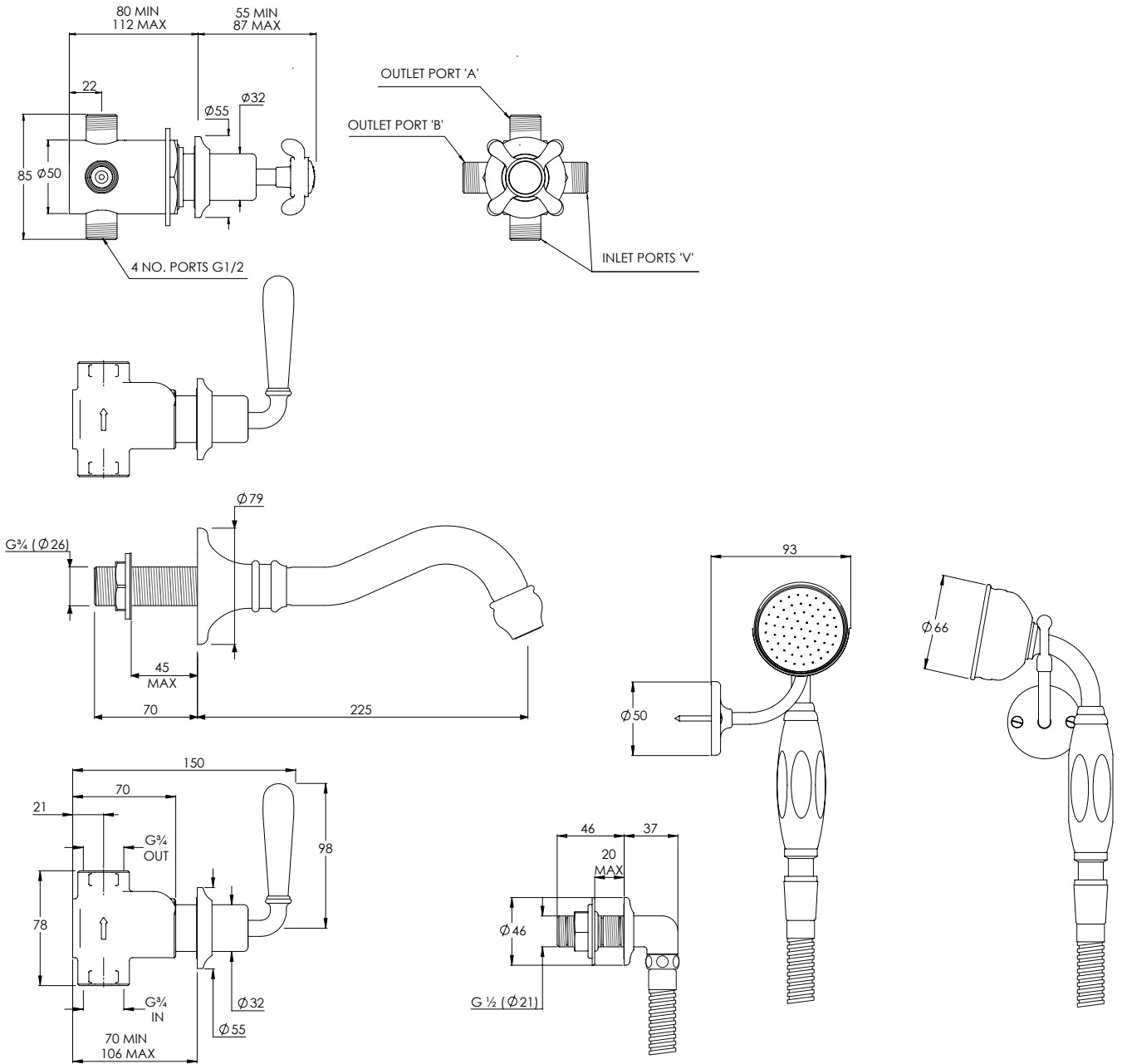
LA CHAPELLE WALL MOUNTED FIVE HOLE BATH
FILLER WITH BLACK TORPILLE LEVERS, DIVERTER &
HAND SHOWER

DIMENSIONAL DATA SHEET

DATE: 15/03/2024

REVISION: A

COPYRIGHT © LBIP LTD. ALL RIGHTS RESERVED



DIMENSIONS IN MILLIMETRES