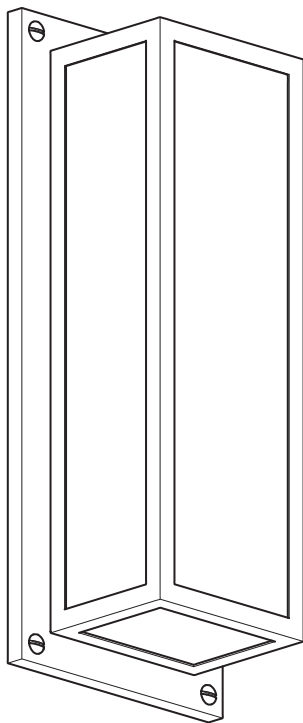


DP 4015  
DECO WALL LAMP  
INSTALLATION GUIDE

---



---

LEFROY BROOKS

## IMPORTANT INFORMATION

1 Switch off your power supply at the fuse box (consumer unit). This can be achieved in two ways. The first is to turn off the miniature circuit breaker (MCB) for the lighting circuit and place RED insulating tape over the MCB to prevent it being accidentally turned on. The second is to turn off the main switch, remove the circuit fuse and turn the main switch on again to restore power to the rest of the house.

2 Colour code for fixed wiring:

GREEN & YELLOW – Earth



BROWN – Live

(Live wires can also be RED)



BLUE – Neutral


(Neutral wires can also be BLACK)

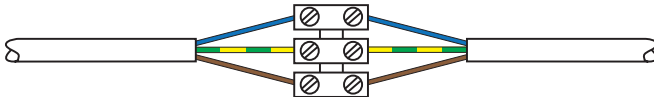



BLUE with brown sleeve – Switch wire with sleeve

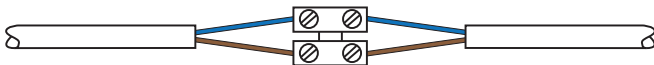


NOTE: Some lamps may have a clear cable. In this case, the earth wire will be marked with a green & yellow thread.

3 CLASS I Lamps (Earthed) – Connect the brown wire from the lamp to the supply live wire (red or brown). Connect the blue wire to the supply neutral wire (black or blue). Connect the green & yellow wire to the supply earth wire (green & yellow) or connect the supply earth to the lamp earth terminal marked with the symbol 

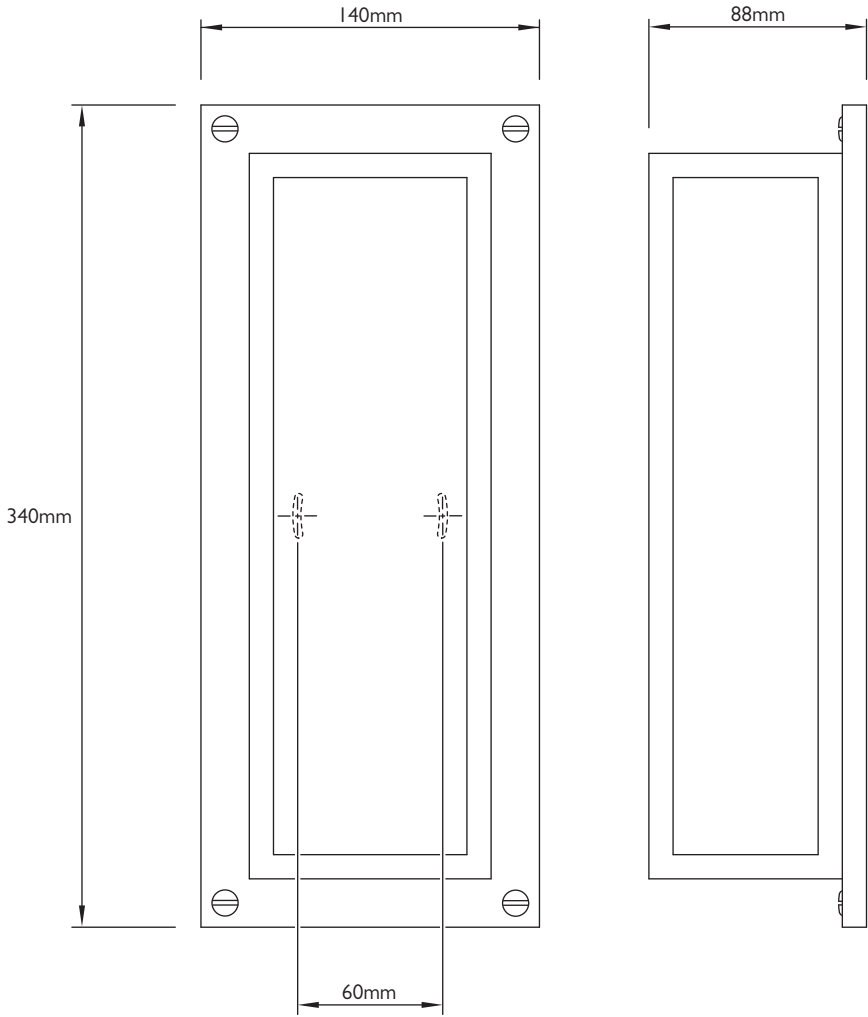


4 CLASS II Lamps (Not earthed) – These lamps are double insulated and have the symbol . These fittings do not have to be connected to the supply earth. Make sure that the basic insulation of the supply wiring cannot contact touchable metal. Connect the brown wire from the lamp to the supply live wire (red or brown). Connect the blue wire to the supply neutral wire (black or blue). Isolate the supply earth wire.



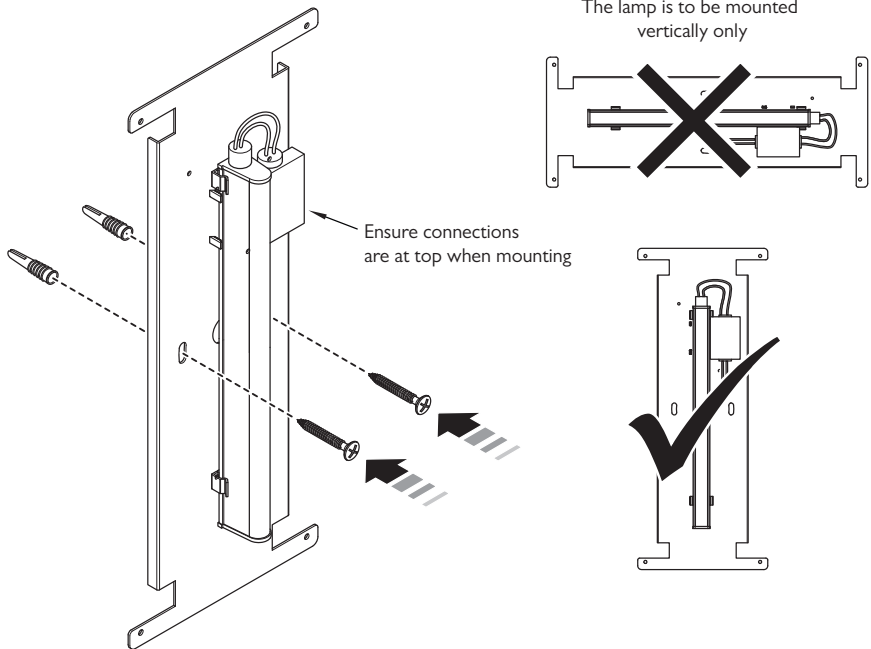
Silicone sleeving may be fitted to protect the supply cable from heat. Fit the sleeving over the supply cable up to the terminal block or lamp holder or to at least the mounting surface.

# DIMENSIONS



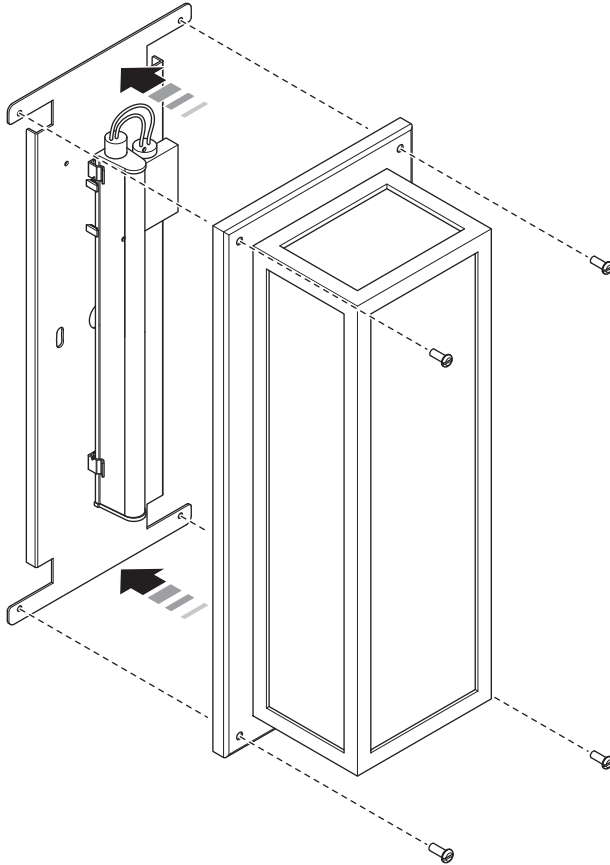
## INSTALLATION

- 1 Connect the supply cable and earth cable to the mains supply within the wall cavity.
- 2 Place the body of the lamp against a suitable mounting surface. Using a spirit level, ensure that the body is level. Mark the location of the two slotted holes on the mounting surface. Drill two suitable holes for the required fixings. Wall plugs and screws are supplied with the lamp. Secure the body using suitable fixings.



## INSTALLATION

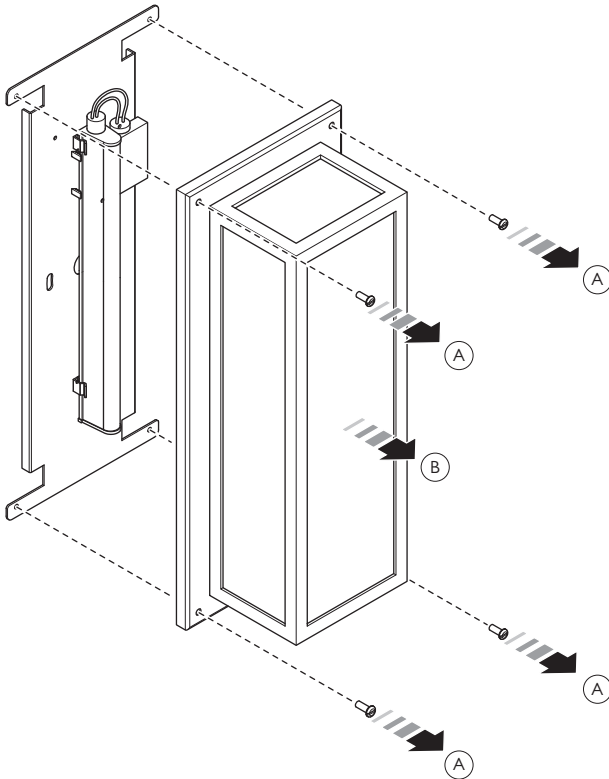
- 3 Locate the shade on to the body.
- 4 Secure the shade to the body using the four screws supplied.



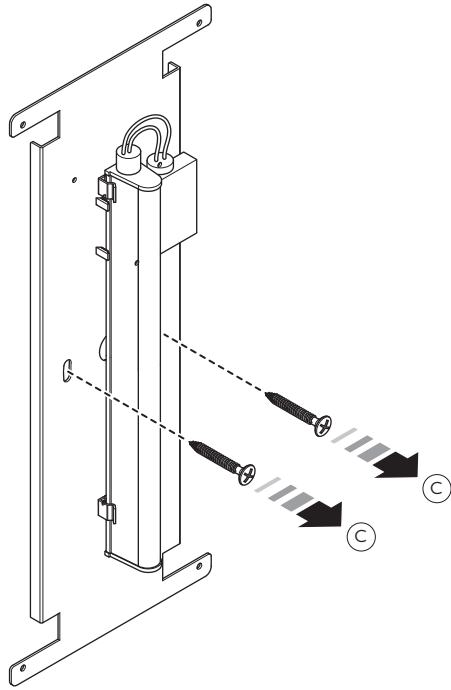
## SERVICING

### Replacing the LED assembly

- 1 Switch off your power supply at the fuse box (consumer unit). This can be achieved in two ways. The first is to turn off the miniature circuit breaker (MCB) for the lighting circuit and place RED insulating tape over the MCB to prevent it being accidentally turned on. The second is to turn off the main switch, remove the circuit fuse and turn the main switch on again to restore power to the rest of the house.
- 2 For safety reasons the LED bulb is not available to purchase on its own and must be bought as part of an assembly. The assembly is the body of the lamp. The part number for this assembly is PLT010.
- 3 Unscrew and remove the four screws from the shade (A).
- 4 Gently pull the shade forward and clear of the body (B).
- 5 Remove the two screws that secure the lamp body to the mounting surface (C).
- 6 Disconnect the lamp from the supply cable within the cavity.
- 7 Fit the replacement lamp body and shade as shown in this guide.



# SERVICING





CONTRACT ENQUIRIES

+44 (0)1992 708 316

[info@lefroybrooks.co.uk](mailto:info@lefroybrooks.co.uk)

CUSTOMER SERVICE, SPARES & TECHNICAL ENQUIRIES

+44 (0)1902 390 894

[technical@lefroybrooks.co.uk](mailto:technical@lefroybrooks.co.uk)

LEFROYBROOKS.CO.UK

---

Whilst every effort is made to ensure the accuracy of these, they are subject to change without notice as part of the company's product development process. The use of trademarks, product design and artwork is subject to licence or agreement with LBIP Ltd. The design registrations, trademark registrations and copyrights are protected by law and the use or reproduction outside the terms of an agreement is prohibited. The right to modify designs and dimensions is reserved. LBIP Ltd is a member of ACID (Anti Copying in Design). E&OE