



# LEFROY BROOKS

IBROC HOUSE ESSEX ROAD  
HODDESDON HERTS EN11 0QS UK  
T: +44 (0)1992 708 316 F: +44 (0)1992 708 317

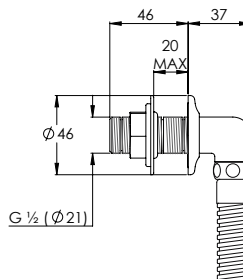
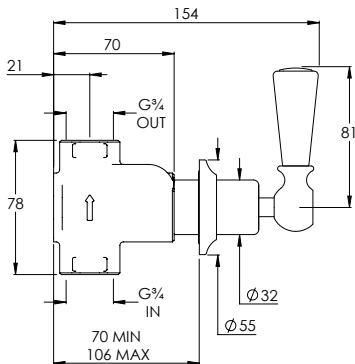
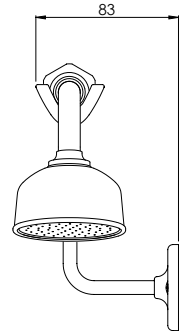
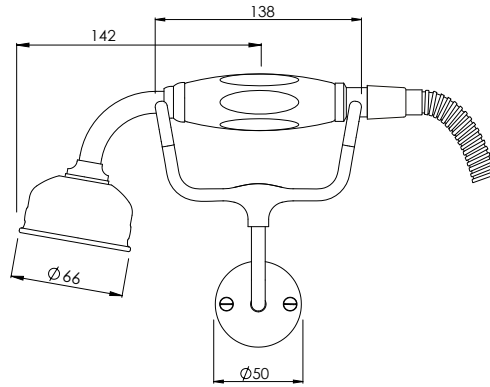
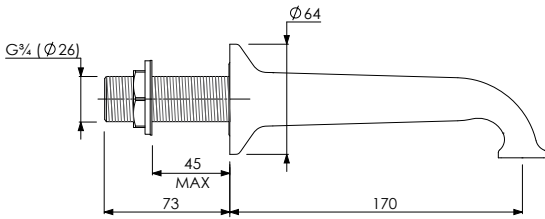
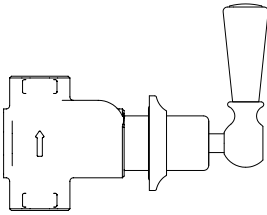
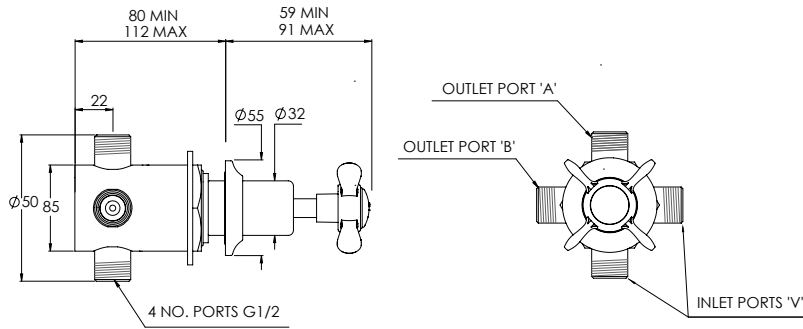
## BL1247

CLASSIC BLACK LEVER WALL MOUNTED FIVE HOLE  
BATH FILLER WITH DIVERTER & HAND SHOWER

### DIMENSIONAL DATA SHEET

DATE: 15/03/2024

REVISION: A



DIMENSIONS IN MILLIMETRES