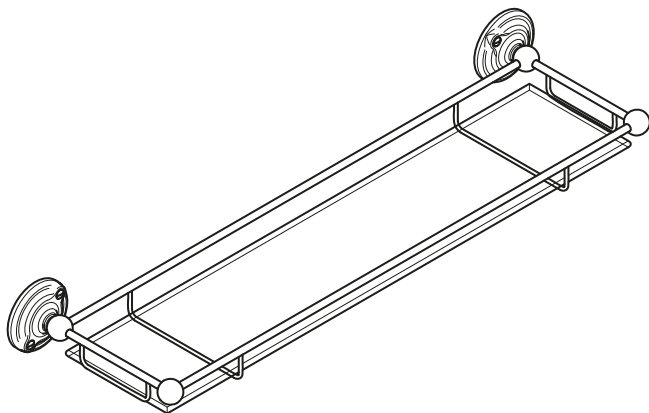
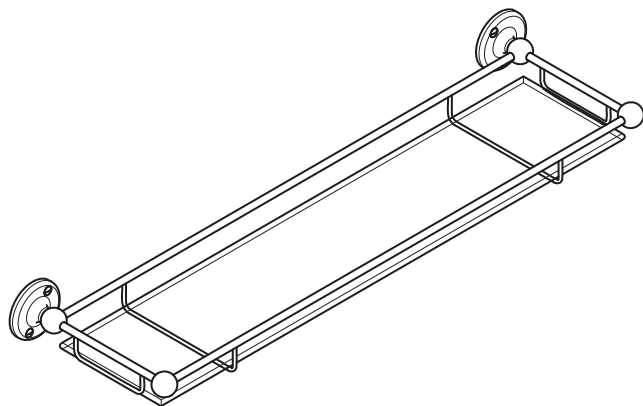


4936
GLASS SHELF WITH RAIL
INSTALLATION GUIDE



LEFROY BROOKS

IMPORTANT INFORMATION

Professional installation

We recommend that our products are fitted by a fully qualified professional. A tester should be used to ensure there are no hidden pipes or electrical cables where the product is to be mounted.

Wall fixings

The screws and wall plugs provided are suitable for most brick walls. However, if the wall is constructed of plasterboard or soft building block the appropriate fixings should be used.

Water quality

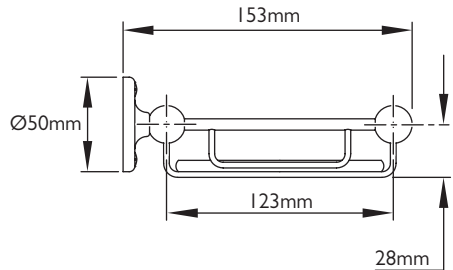
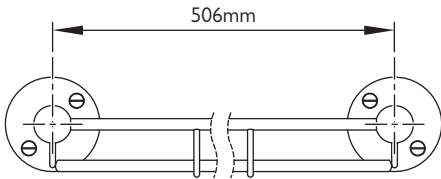
In hard water areas, a suitable water treatment system should be provided to prevent limescale deposits (calcium deposits) which may effect the long term appearance of the product. Exterior surfaces should be gently wiped with a dry soft cloth after use to minimise water stains and limescale deposits.

Important

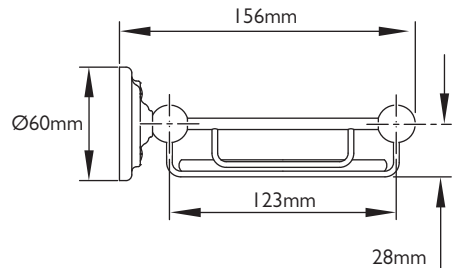
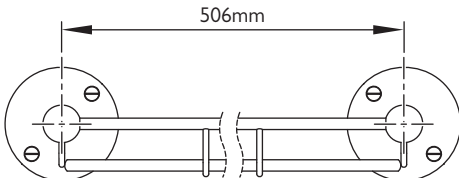
Do not fit accessories with loose glass or ceramic/porcelain/fine bone china in shower cubicles or over baths.

DIMENSIONS

LB 4936 & BK 4936



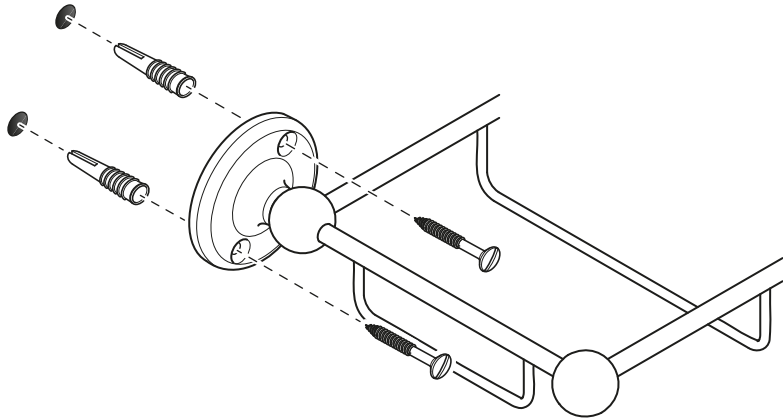
RT 4936



Not to scale

INSTALLATION

Repeat on opposite side



- 1 Remove the glass shelf from the rail.
- 2 Place the rail against the mounting surface.
- 3 Mark the hole positions on the mounting surface. Use a spirit level to ensure the holes are level.
- 4 Drill holes using a suitably sized drill bit for the wall plugs supplied. If alternate fixings are to be used then drill holes to suit these fixings.
- 5 Insert the wall plugs into the holes then secure the rail using screws.
- 6 Carefully locate the glass shelf onto the rail.



CONTRACT ENQUIRIES
+44 (0)1992 708 316
info@lefroybrooks.co.uk

CUSTOMER SERVICE, SPARES & TECHNICAL ENQUIRIES
+44 (0)1902 390 894
technical@lefroybrooks.co.uk

LEFROYBROOKS.CO.UK

Whilst every effort is made to ensure the accuracy of these, they are subject to change without notice as part of the company's product development process. The use of trademarks, product design and artwork is subject to licence or agreement with LBIP Ltd. The design registrations, trademark registrations and copyrights are protected by law and the use or reproduction outside the terms of an agreement is prohibited. The right to modify designs and dimensions is reserved. LBIP Ltd is a member of ACID (Anti Copying in Design). E&OE