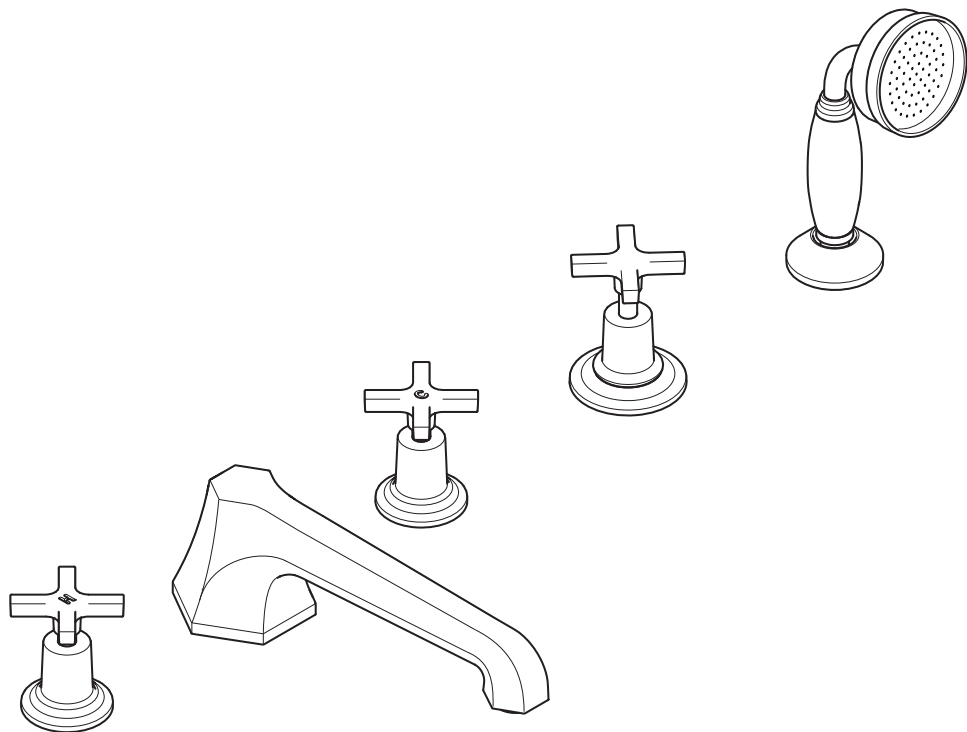


I260 / I262
FIVE HOLE BATH SET
INSTALLATION GUIDE

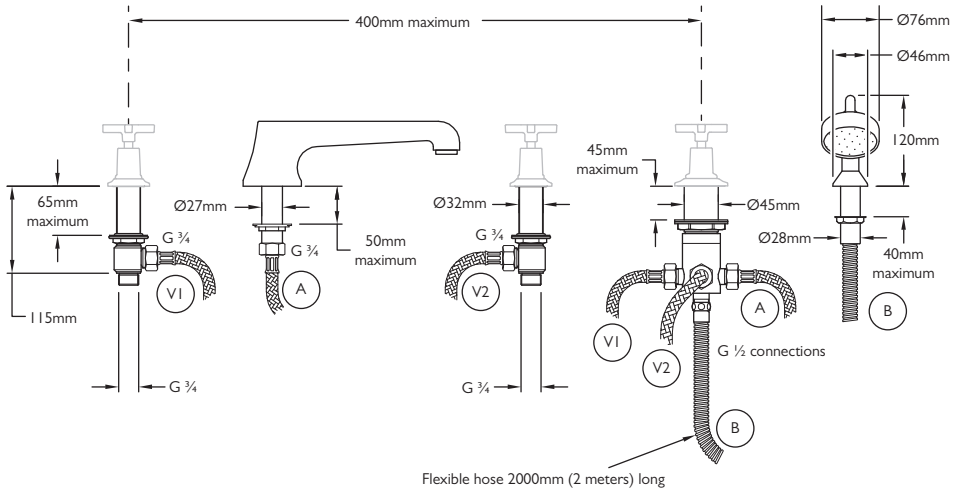


LEFROY BROOKS

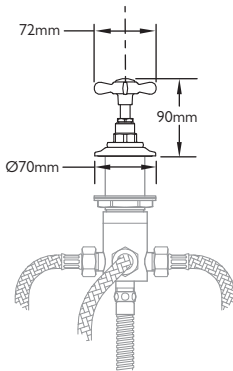
DIMENSIONS

General dimensions

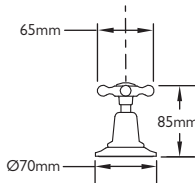
Not to scale



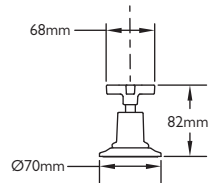
Diverter valves



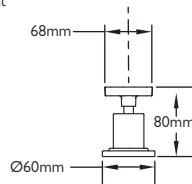
Classic



Connaught



Mackintosh



Janey Mac

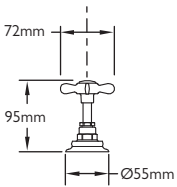
Note:

Flexible hoses are supplied to achieve recommended layout. If the desired layout exceeds the recommended dimensions (as shown) the valves can be installed using standard pipework & connectors.

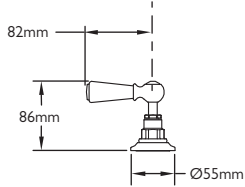
DIMENSIONS

Flow valves

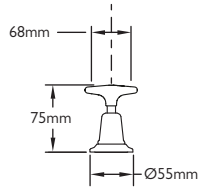
Not to scale



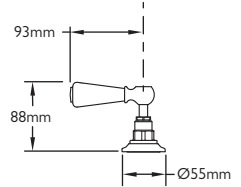
1900 Classic cross handle (LB)



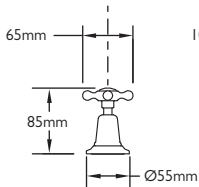
1900 Classic lever white ceramic (WL)



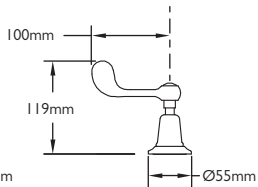
1900 Classic star handle (LS)



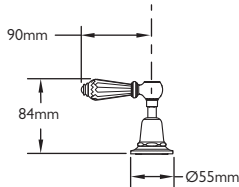
1900 Classic lever black ceramic (BL)



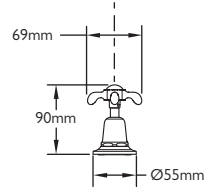
1900 Connaught cross handle (CH)



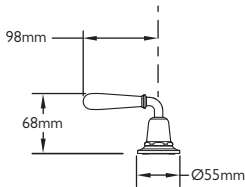
1900 Connaught lever (CL)



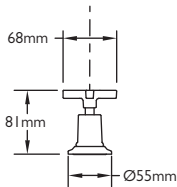
1910 Black crystal lever (CR)



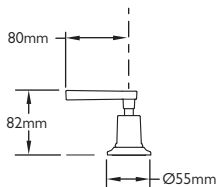
1910 La Chapelle cross handle (FH)



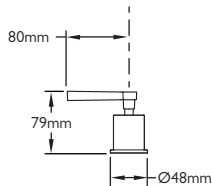
1910 La Chapelle lever black ceramic (FB),
1910 La Chapelle lever white ceramic (FW)
& 1910 La Chapelle lever metal (FM)



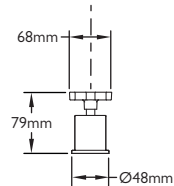
1930 Mackintosh cross handle (MH)



1930 Mackintosh lever (ML)
& 1930 Mackintosh Black lever (MB)



1935 Janey Mac lever (JL)

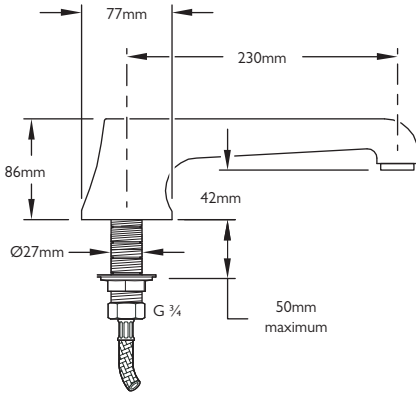


1935 Janey Mac cross handle (JH)

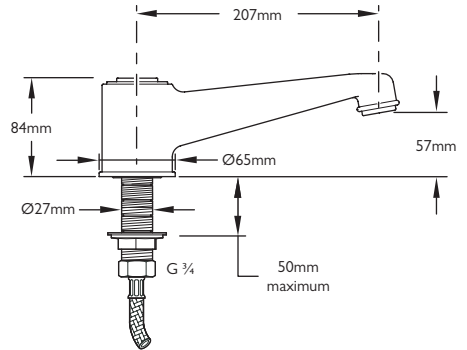
DIMENSIONS

Spouts

Mackintosh

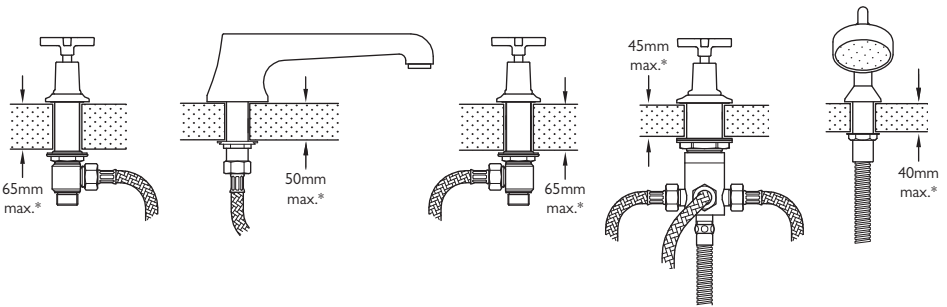


Janey Mac



Mounting surfaces

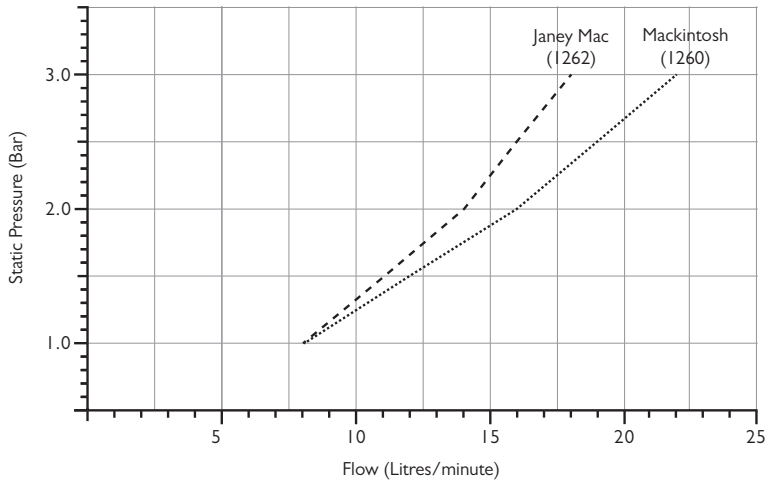
Not to scale



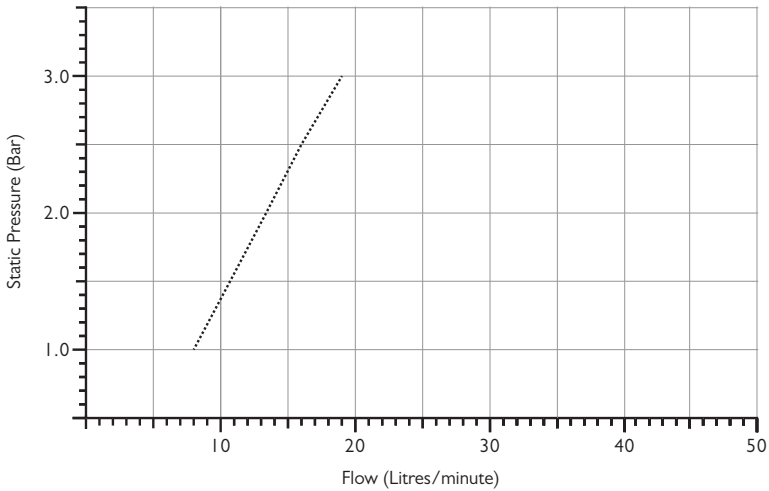
*When mounting the complete set to a single mounting surface the maximum depth is 40mm. This is the depth for the hand shower.

TYPICAL FLOW RATES

Spout only



Hand shower only



Note: Balance pressures shown are applied directly to the hot and cold inlets; flow rates indicated are free flowing and may vary subject to restrictions created by installation, pipework, layout or application.

IMPORTANT INFORMATION

Professional installation

We recommend that our products are fitted by a fully qualified professional plumber. They should be installed correctly and in accordance with all local water regulations and the system protected by non-return valves (not supplied). All products should be accessible for routine servicing.

Suits all systems

This Lefroy Brooks product is potentially suitable for every possible application, type of boiler and water supply pressure. However, if your supply pressure is below 1 bar it is advisable to fit a water pump. For systems with combination boilers, it is not advisable to fit pumps (refer to boiler manufacturer).

Supply connections

Connect the hot and cold supplies to the bottom inlet of the side valves using standard G $\frac{3}{4}$ ($\frac{3}{4}$ " BSP) connections.

Connect the side valves to the diverter using the flexible braided hoses supplied.

Connect the diverter G $\frac{1}{2}$ ($\frac{1}{2}$ " BSP) bottom outlet to the shower hose.

Connect the diverter G $\frac{1}{2}$ ($\frac{1}{2}$ " BSP) side outlet to the spout using the braided hoses supplied.

On special installations, which exceed the specified dimensions, it may be necessary to make connections using alternative pipework (not supplied).

Flushing system

It is most important to flush out all pipework thoroughly before connecting the product. Failure to do so is the single most common cause of ceramic cartridge failure.

Servicing

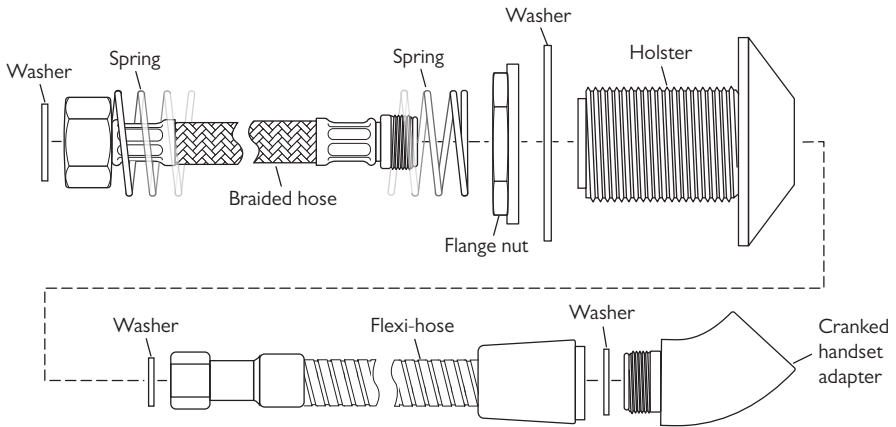
Suitable access should be available to aid any future maintenance/servicing. Installing isolation valves will make servicing much easier (not supplied).

All serviceable parts are available to maintain your Lefroy Brooks product (contact retailer for details).

INSTALLATION

For installation guidelines please refer to the separate guides for 'Deck mounted flow valves' and the 'Two way deck mounted diverter'

SERVICING GUIDELINE FOR THE FLEXIBLE HOSE



REPLACEMENT PARTS

PHL036 – Pair of $\frac{3}{4}$ " x $\frac{1}{4}$ " turn ceramic cartridges (for levers – clockwise and counter clockwise closing)

PHL037 – Pair of $\frac{3}{4}$ " x $\frac{1}{2}$ " turn ceramic cartridges (for handwheels – clockwise closing)

PSP031 – Pair of sealing 'O' rings for base plates

PSH040 – Flexible hand shower hose, elbow connector & deck mounted holster (Post May 2012)

PSH041 – Deck mounted hand shower holster (Post May 2012)

PSP011 – Two way diverter cartridge (Post May 2012)

PSP036 – Internal washers for servicing diverter valve (Pre May 2012)

PSH042 – Pair of 15mm non–return valves for diverter

PSH043 – Replacement hose set without spring

PSH044 – Cranked hand shower adaptor

PBS019 – Pair of $\frac{3}{4}$ " x $\frac{1}{2}$ " braided hoses



CONTRACT ENQUIRIES

+44 (0)1992 708 316

info@lefroybrooks.co.uk

CUSTOMER SERVICE, SPARES & TECHNICAL ENQUIRIES

+44 (0)1902 390 894

technical@lefroybrooks.co.uk

LEFROYBROOKS.CO.UK

Whilst every effort is made to ensure the accuracy of these, they are subject to change without notice as part of the company's product development process. The use of trademarks, product design and artwork is subject to licence or agreement with LBIP Ltd. The design registrations, trademark registrations and copyrights are protected by law and the use or reproduction outside the terms of an agreement is prohibited. The right to modify designs and dimensions is reserved. LBIP Ltd is a member of ACID (Anti Copying in Design). E&OE