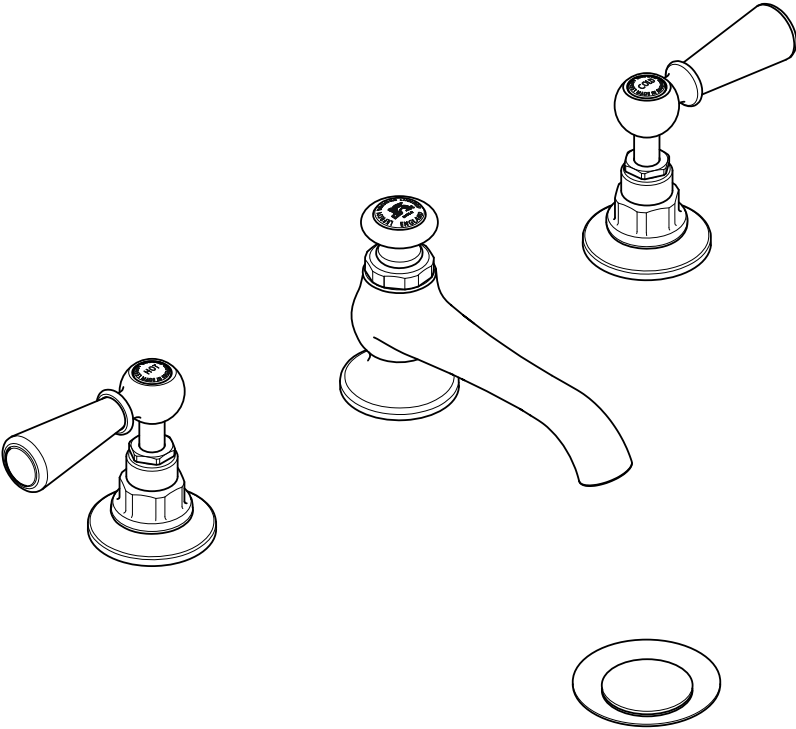


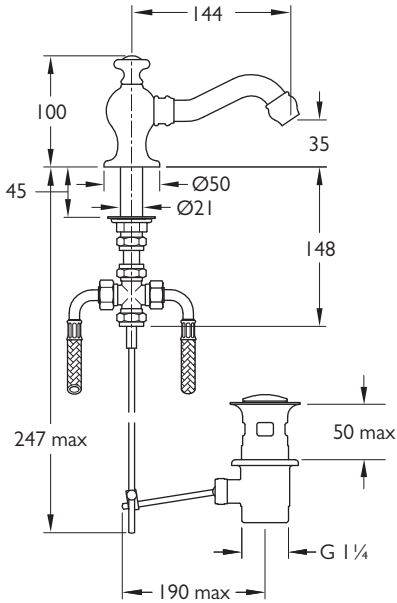
I204 / I205 / I216 / I220 / I222 / I224 / I228
THREE HOLE BASIN MIXER WITH POP-UP WASTE
INSTALLATION GUIDE



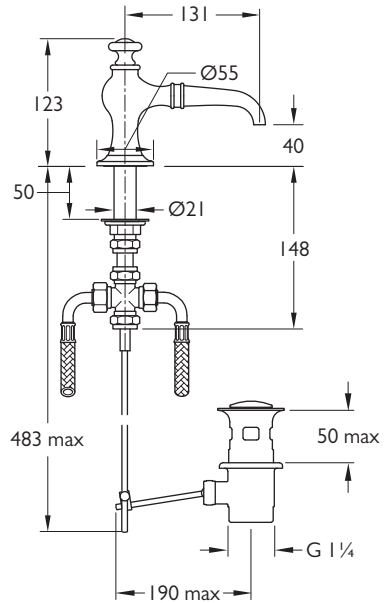
LEFROY BROOKS

MIXER DIMENSIONS (mm)

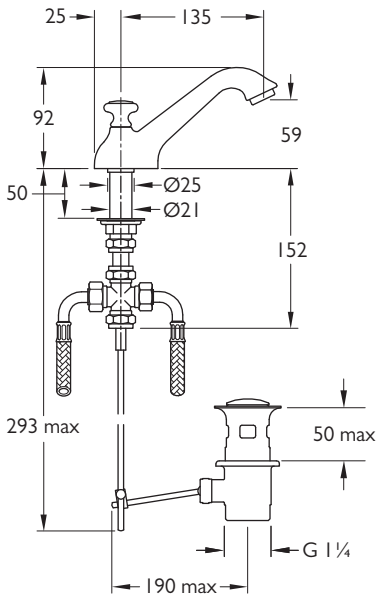
1204 – La Chapelle mixer



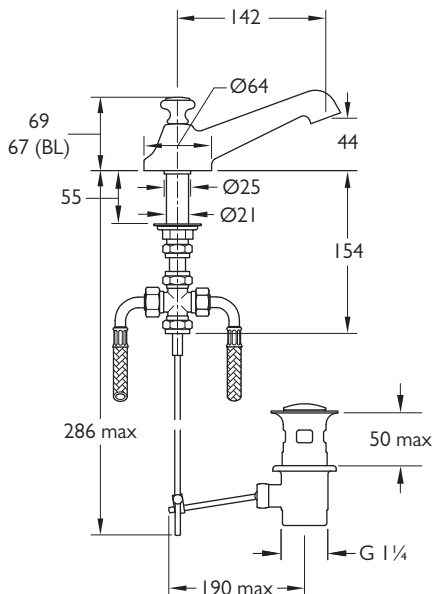
1205 – La Chapelle flared spout mixer



1216 – Edwardian mixer



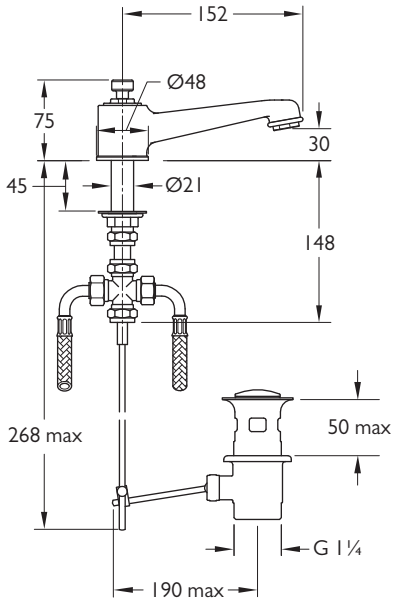
1220 – Classic mixer



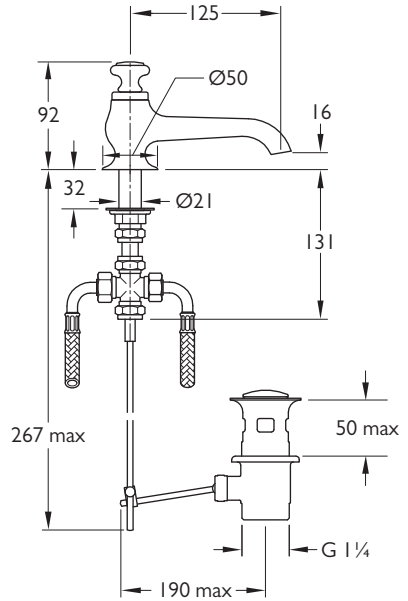
Not to scale

MIXER DIMENSIONS (mm)

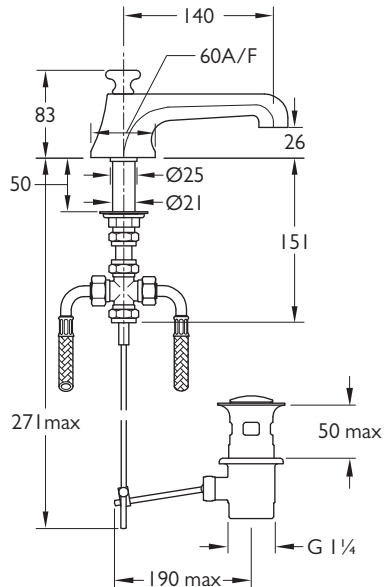
1222 – Janey Mac mixer



1224 – Connaught mixer

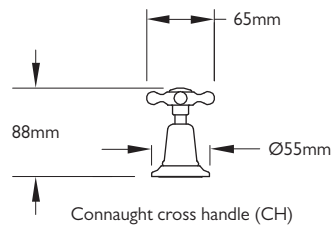
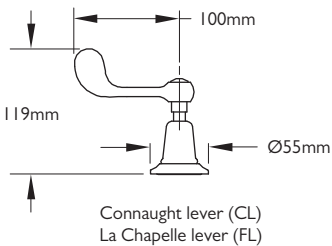
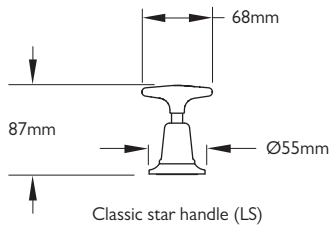
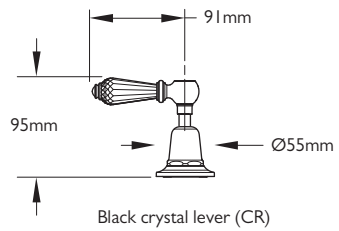
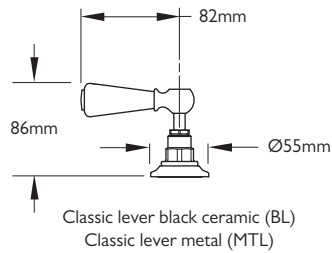
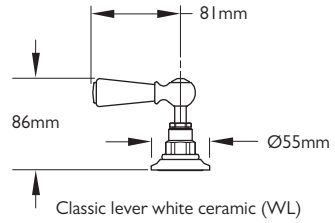
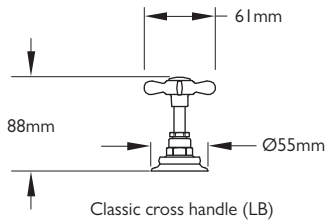


1228 – Mackintosh mixer



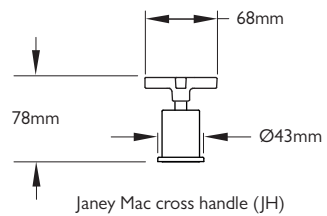
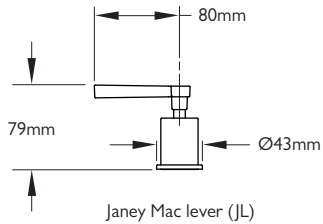
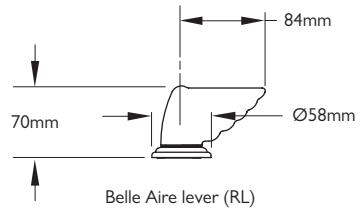
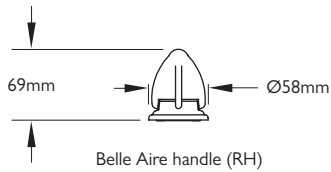
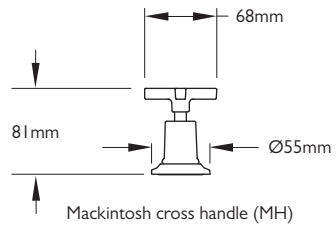
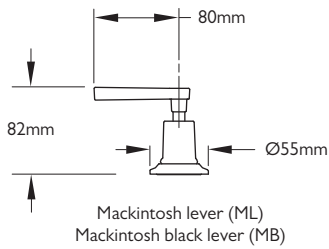
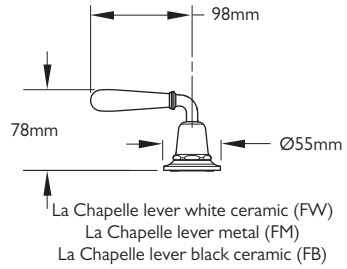
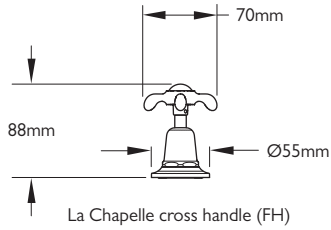
Not to scale

FLOW VALVE DIMENSIONS



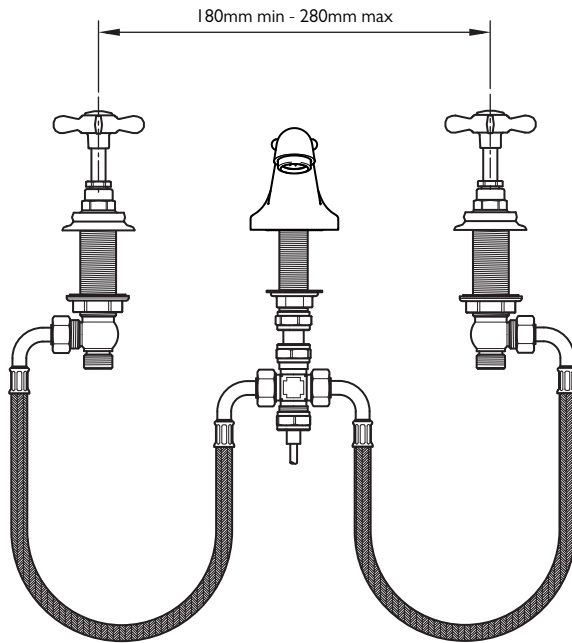
Not to scale

FLOW VALVE DIMENSIONS



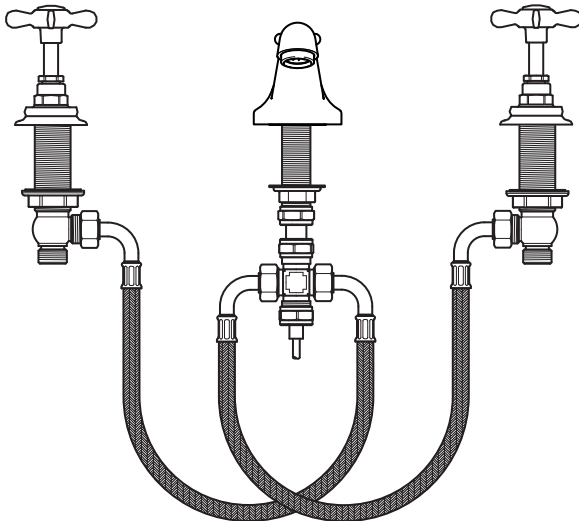
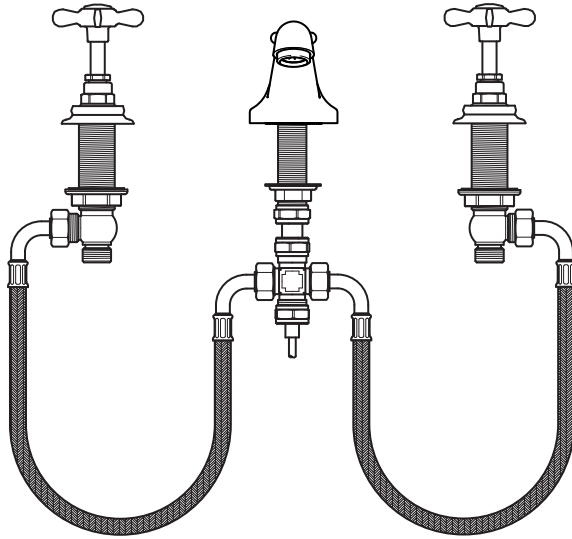
FLEXIBLE HOSE CONNECTIONS

Shown with Classic mixer and flow valves.



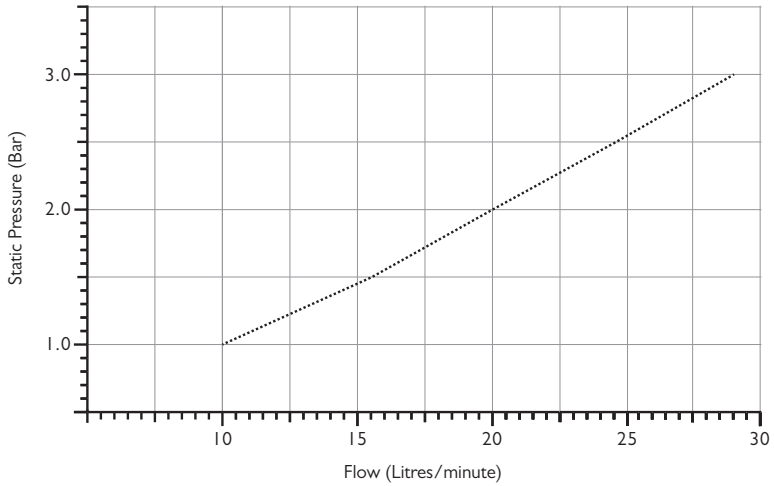
FLEXIBLE HOSE CONNECTIONS

It is recommended that the flow valves and hoses are installed as shown



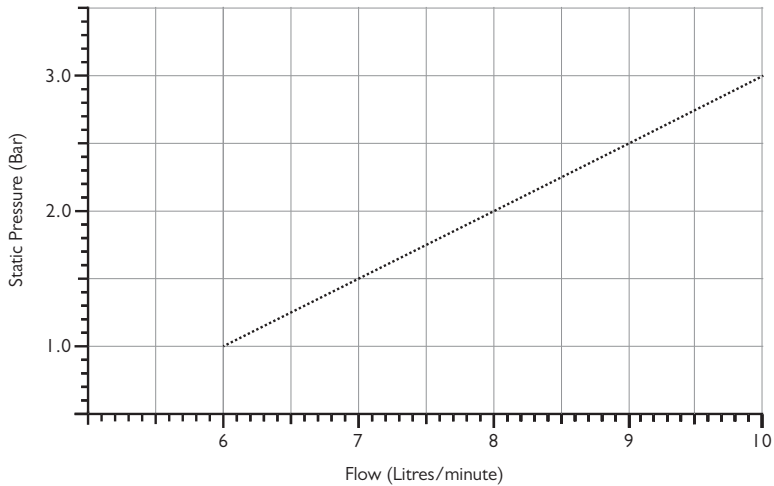
TYPICAL FLOW RATES

I205 / I216 / I220 / I222 & I224



Note: Balance pressures shown are applied directly to the hot and cold inlets; flow rates indicated are free flowing and may vary subject to restrictions created by installation, pipework, layout or application.

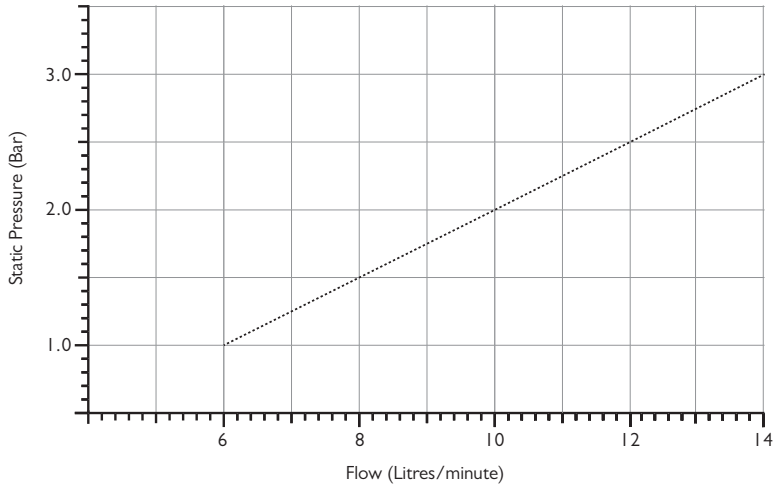
I204



Note: Balance pressures shown are applied directly to the hot and cold inlets; flow rates indicated are free flowing and may vary subject to restrictions created by installation, pipework, layout or application.

TYPICAL FLOW RATES

I228



Note: Balance pressures shown are applied directly to the hot and cold inlets; flow rates indicated are free flowing and may vary subject to restrictions created by installation, pipework, layout or application.

IMPORTANT INFORMATION

Professional installation

We recommend that our products are fitted by a fully qualified professional plumber. They should be installed correctly and in accordance with all local water regulations and the system protected by non-return valves (not supplied). All products should be accessible for routine servicing.

Suits all systems

This Lefroy Brooks product is potentially suitable for every possible application, type of boiler and water supply pressure. However, if your supply pressure is below 1 bar it is advisable to fit a water pump. For systems with combination boilers, it is not advisable to fit pumps (refer to boiler manufacturer).

Supply connections

The hot and cold water supplies should be connected using suitable ½" connectors.

Supply temperature safety notice

To comply with local building regulations, current legislation, relevant standards and codes of practice a thermostatic mixing valve (TMV) should be fitted (not supplied) to the hot supply. This will restrict the temperature to a safe working maximum temperature. Maximum allowed temperatures vary subject to type of installation or specification of building.

Balancing flow

If there is a significant difference in water pressures between hot & cold supplies, we recommend an in-line flow suppressor/regulator (not supplied) be fitted. This should be fitted to whichever has the greater flow rate, in an accessible position close to the valve. Do not fit the flow suppressor/regulator at the spout as this will increase the pressure in the flexible hoses.

Water quality

In hard water areas, a suitable water treatment system should be provided to prevent limescale deposits (calcium deposits) which may effect the long term performance of the ceramic cartridges. Exterior surfaces should be gently wiped with a dry soft cloth after use to minimise water stains and limescale deposits.

Flushing system

It is most important to flush out all pipework thoroughly before connecting the product.

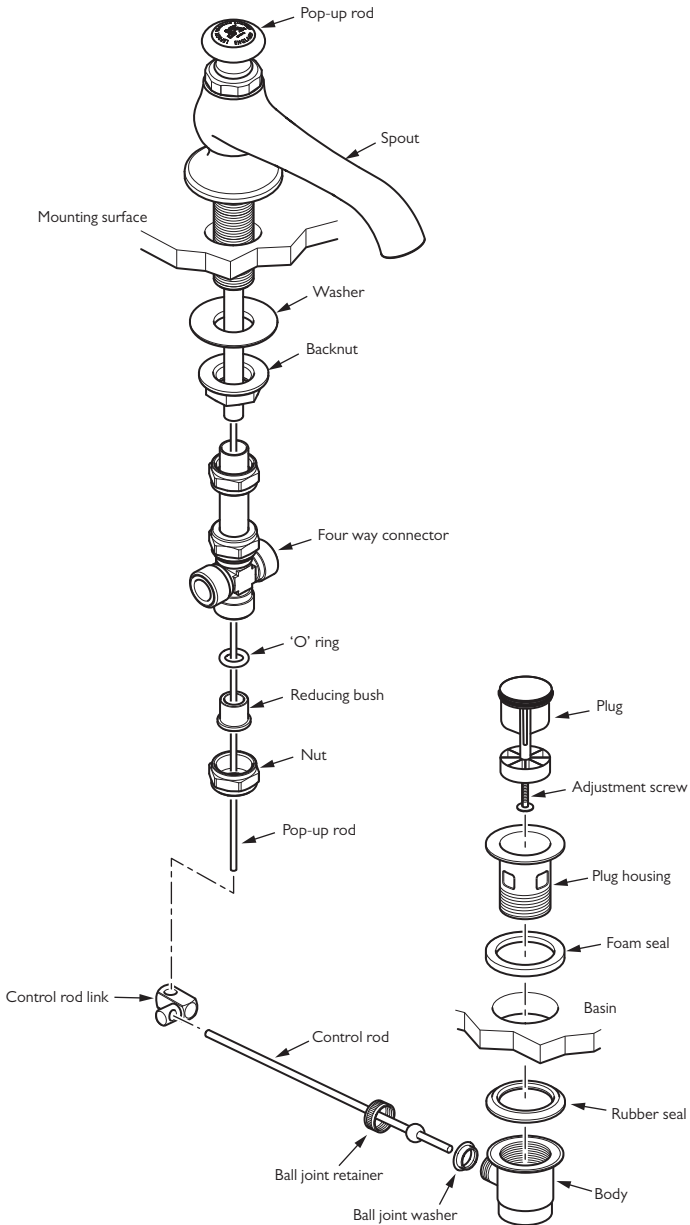
This is the single most common cause of ceramic cartridge failure.

Servicing

All serviceable parts are available to maintain your Lefroy Brooks product.

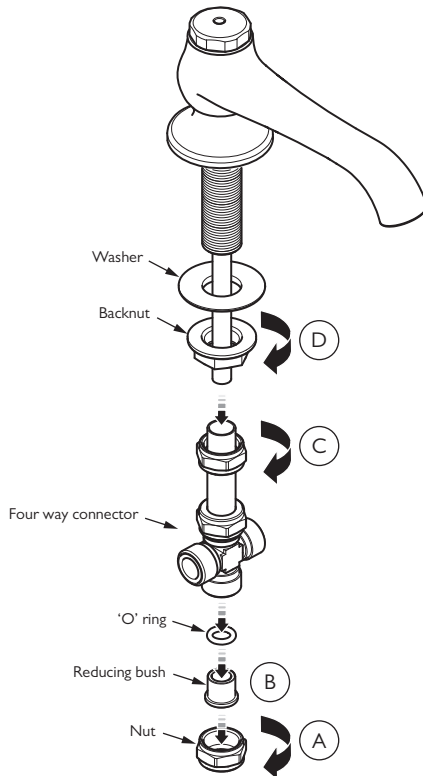
PARTS IDENTIFICATION

Shown with Classic mixer. The same procedure applies to all mixers.



SPOUT INSTALLATION

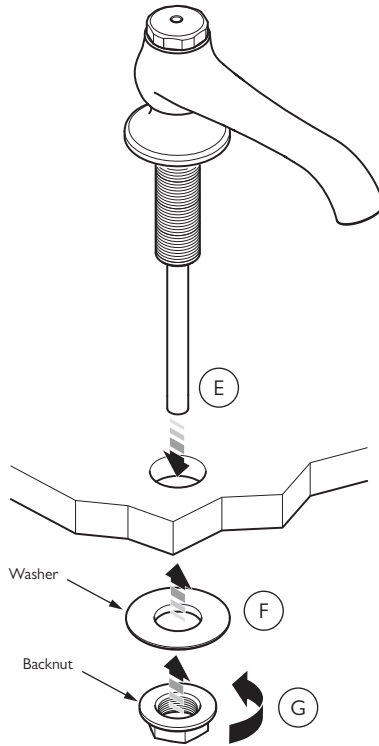
Shown with Classic mixer. The same procedure applies to all mixers.



- 1 Where necessary drill a suitable sized hole in the mounting surface.
- 2 Unscrew (clockwise) and remove the nut from the bottom of the four way connector (A).
- 3 Remove the reducing bush from the bottom of the four way connector (B).
- 4 There is a short length of copper tube at the top of the four way connector. Unscrew (clockwise) the nut at the top of the copper tube (C). Gently pull the four way connector assembly clear of the threaded tail. Be careful not to damage the white tube that runs through the threaded tail. There is an 'O' ring in the bottom of the four way connector, attached to the white tube; this will drop out when removing the four way connector.
- 5 Unscrew (clockwise) and remove the backnut and washer from the threaded tail (D).

SPOUT INSTALLATION

Shown with Classic mixer. The same procedure applies to all mixers.

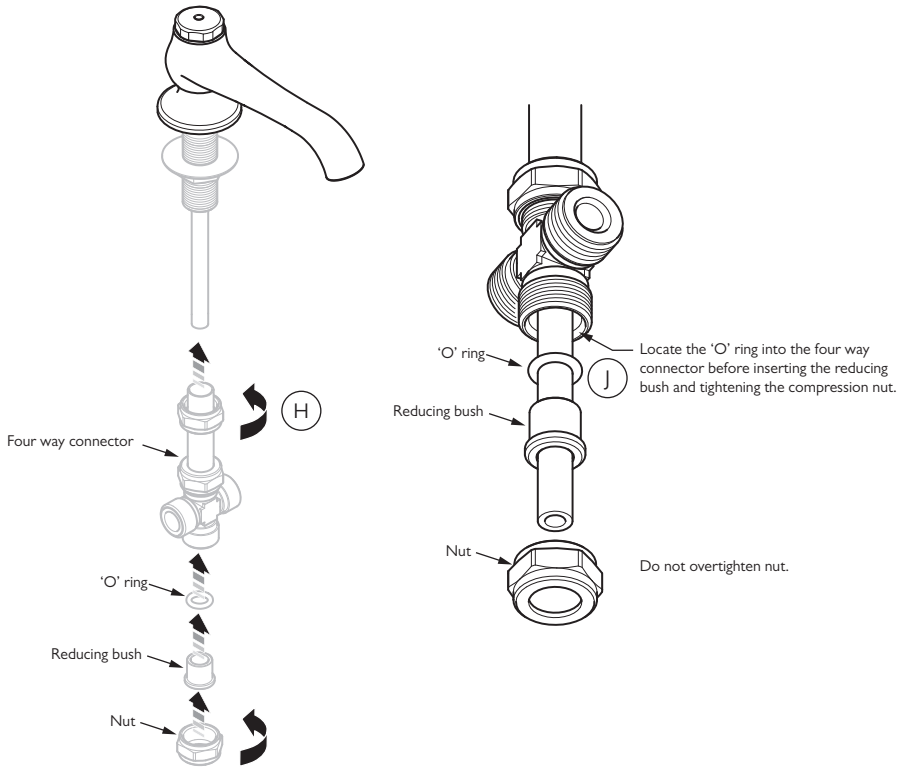


- 6 Pass the threaded tail of the spout through the hole in the mounting surface (E). Align the spout.
- 7 Locate the washer onto the threaded tail (F).

- 8 Screw the backnut (counter clockwise) onto the threaded tail and tighten to secure the spout (G).

SPOUT INSTALLATION

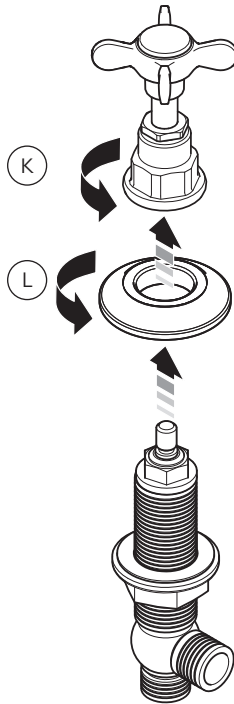
Shown with Classic mixer. The same procedure applies to all mixers.



- 9 Locate the four way connector and tighten the upper locking nut (H). Ensure that the 'O' ring is located into the four way connector (J) before inserting the reducing bush. Tighten the compression nut.

FLOW VALVE INSTALLATION

Shown with Classic cross handle. The same procedure applies to all handle and lever models.

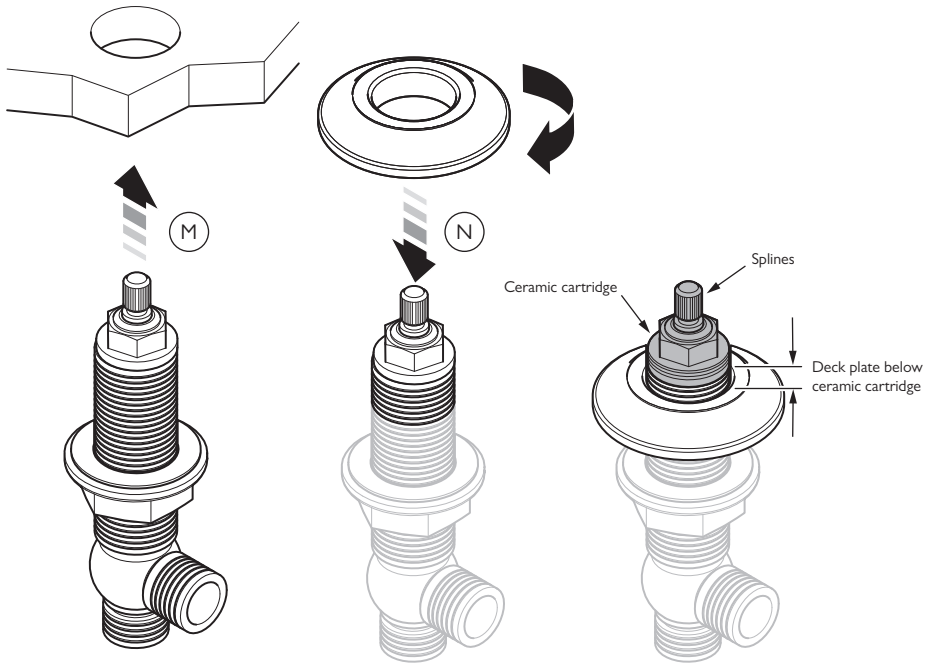


Before continuing please be aware that on lever models it is important to keep the flow valve bodies and lever assemblies together as supplied. Do not swap the lever assemblies from hot and cold valves.

- 1 Where necessary drill $\text{Ø}28\text{--}30\text{mm}$ holes in the mounting surface.
- 2 Support the flow valve body then unscrew (counter clockwise) and remove the handle/lever assembly (K) from the valve body.
- 3 Unscrew (counter clockwise) and remove the deck plate (L). Do not remove the backnut and washer.

FLOW VALVE INSTALLATION

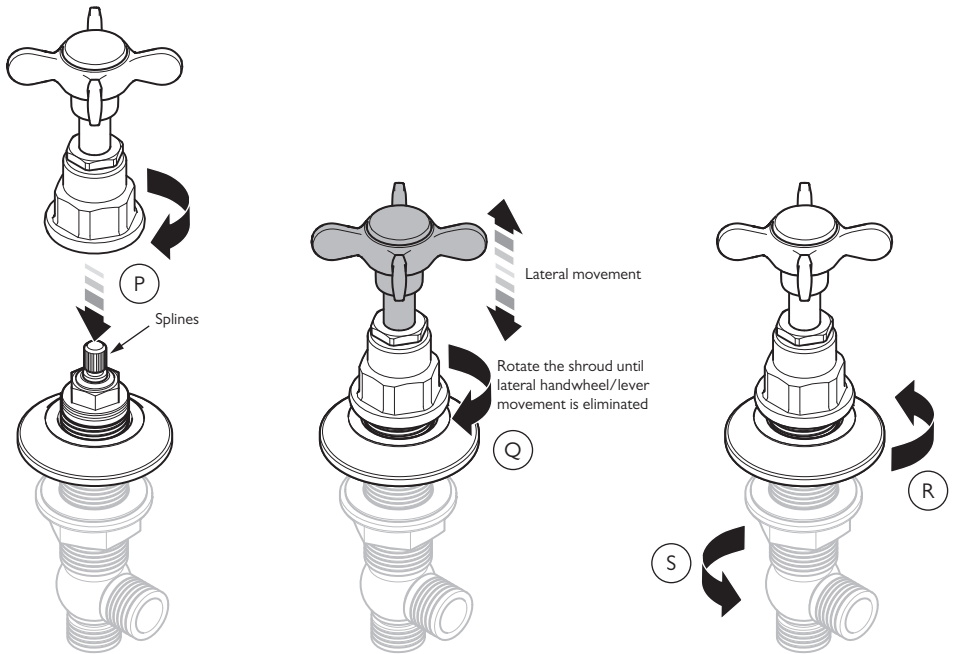
Shown with Classic deck plates. The same procedure applies to all deck plates.



- 4 Locate the flow valve through the hole in the mounting surface (M).
- 5 Screw the deck plate onto the top of the flow valve, beyond the level of the ceramic cartridge (N).
- 6 On handle models rotate the splines on top of the ceramic cartridges so that they are in the fully clockwise position. On lever models rotate the splines on top of the 'hot' ceramic cartridge so that they are in the fully clockwise position and the splines on top of the 'cold' ceramic cartridge so that they are in the fully counter clockwise position. The handles/ levers can be loosely located to achieve this.
- 7 Rotate the flow valve body so that the side outlet port is facing the required direction for connection.

FLOW VALVE INSTALLATION

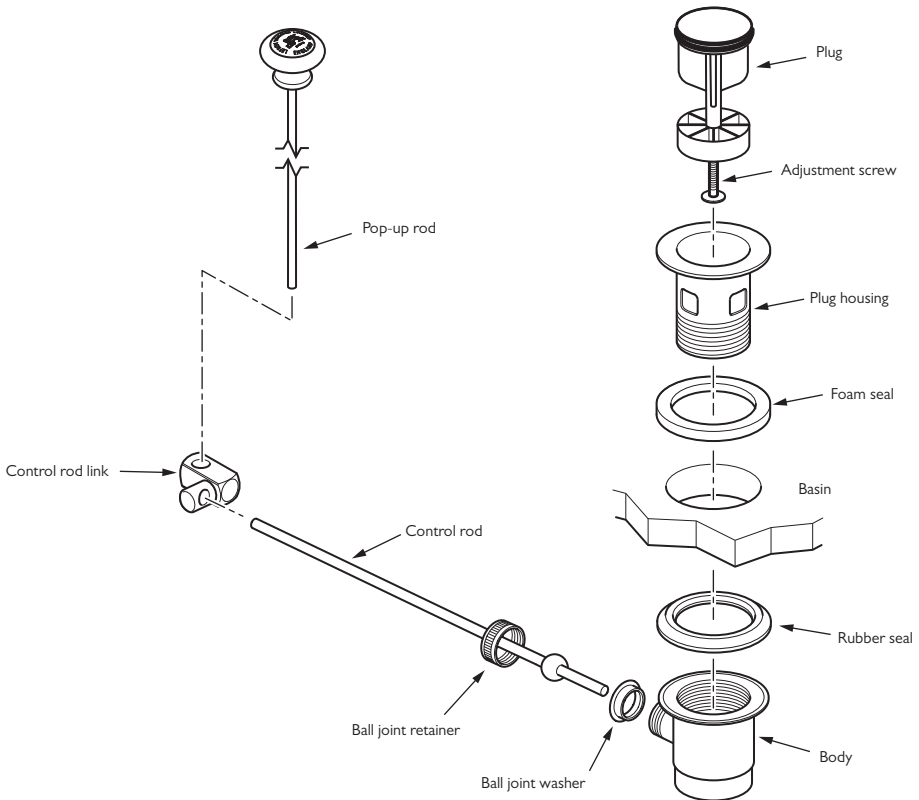
Shown with Classic cross handle. The same procedure applies to all handle and lever models.



- 8 With the handle/lever hot and cold indicators aligned, locate the handle/lever assembly onto the splines of the cartridge (P). Rotate the shroud of the handle/lever assembly in a clockwise direction until lateral movement of the handle/lever is eliminated (Q). **DO NOT** tighten the handle/lever assembly in place as this may damage the ceramic cartridge. The aim is to simply rotate the handle/lever assembly shroud until the handle/lever no longer has any lateral/up and down movement.
- 9 With the lateral movement adjustment completed, rotate the deck plate counter clockwise to meet the handle/lever assembly, leaving no gap between them (R).
- 10 Ensure that the handle/lever alignment is as required before securing the flow valve in place. The flow valve can be rotated to correct any small alignment issues. Tighten the backnut to secure the flow valve in place (S).

POP-UP WASTE INSTALLATION

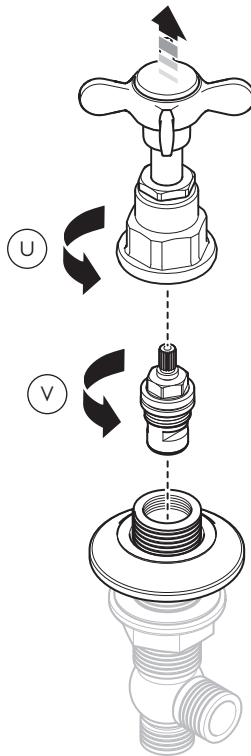
Shown with Classic rod. The same procedure applies to all rods.



- 1 Insert the pop-up waste lever into the hole in the top of the spout.
- 2 Assemble the pop-up waste to the basin with the foam seal on top of the mounting surface and the rubber seal below. The wide diameter of the rubber seal sits on top of the waste body. Tighten by hand.
- 3 Place the control rod link onto the rod of the pop-up waste lever, then feed the control rod through. Locate the short end of the control rod, the one with the ball, into the waste and secure by screwing the ball joint retainer in place. Do not over tighten.
- 4 Gently clamp the control rod link to the pop-up waste lever rod. Test the operation of the pop-up waste and if satisfactory fully tighten the control rod link to the pop-up waste lever rod. If not satisfactory then make adjustments to the control rod link as required. If the operation is stiff simply loosen the ball joint retainer as required.
- 5 Connect the flexible hoses to the basin mixer.
- 6 Connect the hot and cold water supplies to the bottom of the appropriate flexible hoses. Turn on the water supplies and check for leaks. Check the operation of the basin mixer.

SERVICING – CARTRIDGE REPLACEMENT

Shown with Classic cross handle. The same procedure applies to all handle and lever models.



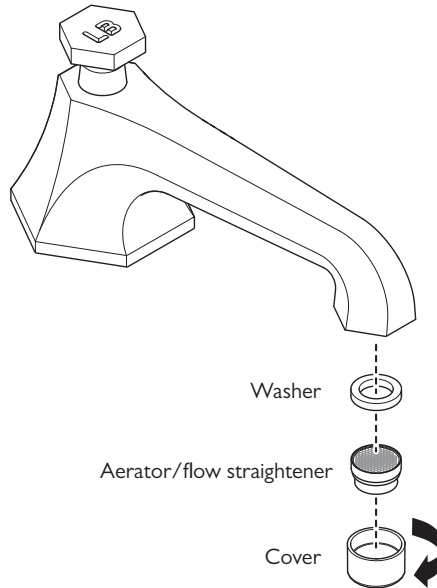
Before continuing please ensure that the water supplies have been isolated and drained where necessary.

To remove the ceramic cartridge(s), unscrew (counter clockwise) and remove the handle/lever assembly/assemblies (U).

- 1 Support the flow valve body then unscrew (counter clockwise) and remove the ceramic cartridge(s) using a 17mm spanner (V).
- 2 Assemble in the reverse order.
- 3 Refer to point 8–10 in the 'flow valve installation' section to ensure the handle/lever assembly/assemblies is/are installed correctly.

SERVICING – CLEANING THE SPOUT AERATOR/FLOW STRAIGHTENER

Shown with model I228 mixer. The same procedure applies to I204, I216, I220 and I222 models.
Not applicable on I205 and I224 models.



- 1 There is an aerator/flow straightener located in the end of the spout. To remove this unscrew and remove the cover in a clockwise direction.
- 2 The aerator/flow straightener can be cleaned in warm soapy water.
- 3 Assemble in the reverse order.

FAULT FINDING

The hot/cold flow valves are turned off but the spout drips continuously.

- Replace the ceramic cartridge(s). See 'Replacement parts' section for spare part numbers and the 'servicing – cartridge replacement' section

Water flow from the spout is reduced.

- On I204, I216, I220, I222 and I228 models debris from the water supply may be causing restriction at the aerator/flow straightener located in the end of the spout. The aerator/flow straightener can be removed for cleaning (see 'servicing – cleaning the spout aerator/flow straightener' section)
- Check that there are no tight bends in the flexible hoses

Noisy operation

- Check that there are no tight bends in the flexible hoses
- Reduce water pressure

Leaks from underside of basin

- Flexible hose joints not tight
- 'O' ring inside of four way connector damaged
- Reducing bush in bottom of four way connector fitted upside down

Pop-up rod movement is stiff/loose

- Adjust the ball joint retainer where the horizontal control rod fits into the waste assembly (see 'parts identification' or 'pop-up waste installation' section)

REPLACEMENT PARTS

- PHL034 – Pair of ½" x ½ turn ceramic cartridges for handles (clockwise closing)
- PHL038 – Single ½" x ½ turn ceramic cartridge for handles (clockwise closing – left side).
- PHL039 – Single ½" x ½ turn ceramic cartridge for handles (clockwise closing – right side).

- PHL035 – Pair of ½" x ¼ turn ceramic cartridges for levers (one clockwise closing (left side) and one counter clockwise closing (right side)).
- PHL040 – Single ½" x ¼ turn ceramic cartridge for lever (clockwise closing – left side).
- PHL041 – Single ½" x ¼ turn ceramic cartridge for lever (counter clockwise closing – right side).

- PSH022 – Pair of replacement braided flexible hoses.

- PPW003 – Classic and Connaught mixer pop up rod (standard length of 330mm)
- PPW004 – Classic and Connaught mixer pop up rod (longer length of 500mm)
- PPW006 – Black lever mixer pop up rod (standard length of 330mm)
- PPW007 – Black lever mixer pop up rod (longer length of 500mm)
- PPW010 – Mackintosh and Janey Mac mixer pop up rod (standard length of 330mm)
- PPW011 – Mackintosh and Janey Mac mixer pop up rod (longer length of 500mm)
- PPW032 – La Chapelle mixer pop up rod (standard length of 500mm)

- PPW016 – Horizontal rod and ball (standard length of 200mm)
- PPW017 – Horizontal rod and ball (longer length of 500mm)

- PSH029 – Aerator, washer & housing for I228 model
- PSH030 – Aerator, washer & housing for I216, I220 models
- PSH033 – Aerator, washer & housing for I204 model
- PSH108 – Aerator, washer & housing for I222 model



CONTRACT ENQUIRIES
+44 (0)1992 708 316

info@lefroybrooks.co.uk

CUSTOMER SERVICE, SPARES & TECHNICAL ENQUIRIES

+44 (0)1902 390 894

technical@lefroybrooks.co.uk

L E F R O Y B R O O K S . C O . U K

Whilst every effort is made to ensure the accuracy of these, they are subject to change without notice as part of the company's product development process. The use of trademarks, product design and artwork is subject to licence or agreement with LBIP Ltd. The design registrations, trademark registrations and copyrights are protected by law and the use or reproduction outside the terms of an agreement is prohibited. The right to modify designs and dimensions is reserved. LBIP Ltd is a member of ACID (Anti Copying in Design). E&OE